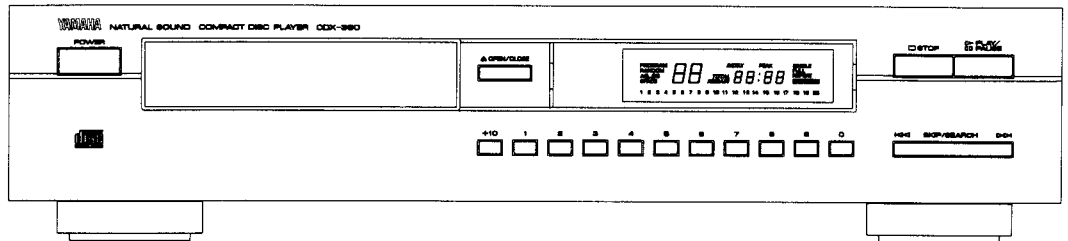
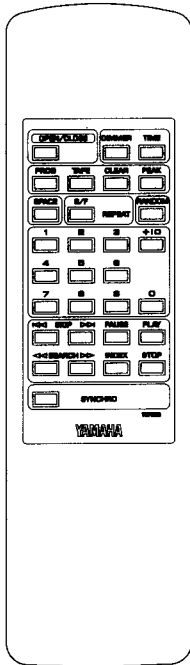


COMPACT DISC PLAYER

CDX-390

SERVICE MANUAL



IMPORTANT NOTICE

This manual has been provided for the use of authorized YAMAHA Retailers and their service personnel. It has been assumed that basic service procedures inherent to the industry, and more specifically YAMAHA Products, are already known and understood by the users, and have therefore not been restated.

WARNING: Failure to follow appropriate service and safety procedures when servicing this product may result in personal injury, destruction of expensive components and failure of the product to perform as specified. For these reasons, we advise all YAMAHA product owners that all service required should be performed by an authorized YAMAHA Retailer or the appointed service representative.

IMPORTANT: The presentation or sale of this manual to any individual or firm does not constitute authorization, certification or recognition of any applicable technical capabilities, or establish a principle-agent relationship of any form.

The data provided is believed to be accurate and applicable to the unit(s) indicated on the cover. The research, engineering, and service departments of YAMAHA are continually striving to improve YAMAHA products. Modifications are, therefore, inevitable and specifications are subject to change without notice or obligation to retrofit. Should any discrepancy appear to exist, please contact the distributor's Service Division.

WARNING: Static discharges can destroy expensive components. Discharge any static electricity your body may have accumulated by grounding yourself to the ground buss in the unit (heavy gauge black wires connect to this buss).

IMPORTANT: Turn the unit OFF during disassembly and parts replacement. Recheck all work before you apply power to the unit.

CONTENTS

TO SERVICE PERSONNEL	1~2
REAR PANELS	3
SPECIFICATIONS	4
INTERNAL VIEW	4
DISASSEMBLY PROCEDURES	5
STANDARD OPERATION CHART	6~7
TEST MODE	8
ERROR MESSAGE	9~11

IC DATA	12~15
PRINTED CIRCUIT BOARD	16~19
DISPLAY DATA	19
BLOCK DIAGRAM	20~21
SCHEMATIC DIAGRAM	22
PARTS LIST	23~31
REMOTE CONTROL TRANSMITTER	32

■ TO SERVICE PERSONNEL

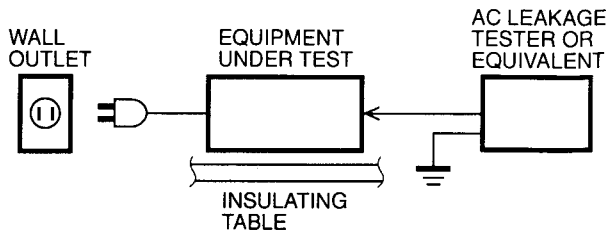
1. Critical Components Information.

Components having special characteristics are marked and must be replaced with parts having specifications equal to those originally installed.

2. Leakage Current Measurement (For 120V Models Only).

When service has been completed, it is imperative to verify that all exposed conductive surfaces are properly insulated from supply circuits.

- Meter impedance should be equivalent to 1500 ohm shunted by 0.15 μ F.
- Leakage current must not exceed 0.5mA.
- Be sure to test for leakage with the AC plug in both polarities.



CAUTION: USE OF CONTROLS OR ADJUSTMENTS OR PERFORMANCE OF PROCEDURES OTHER THAN THOSE SPECIFIED HEREIN MAY RESULT IN HAZARDOUS RADIATION EXPOSURE.

THE COMPACT DISC PLAYER SHOULD NOT BE ADJUSTED OR REPAIRED BY ANYONE EXCEPT PROPERLY QUALIFIED SERVICE PERSONNEL.

PROTECTION OF EYES FROM LASER BEAM DURING SERVICING

This set employs a laser. Therefore, be sure to carefully follow the instructions below when servicing .

1. Laser Diode Properties

- Material : GaAlAs
- Wavelength : 780 nm
- Emission Duration : Continuous
- Laser Output : max. 44.6 μ W*

* This output is the value measured at a distance of about 200 mm from the objective lens surface on the Optical Pick-up Block.

2. When checking the laser diode emission, keep your eyes more than 30 cm away from the objective lens.

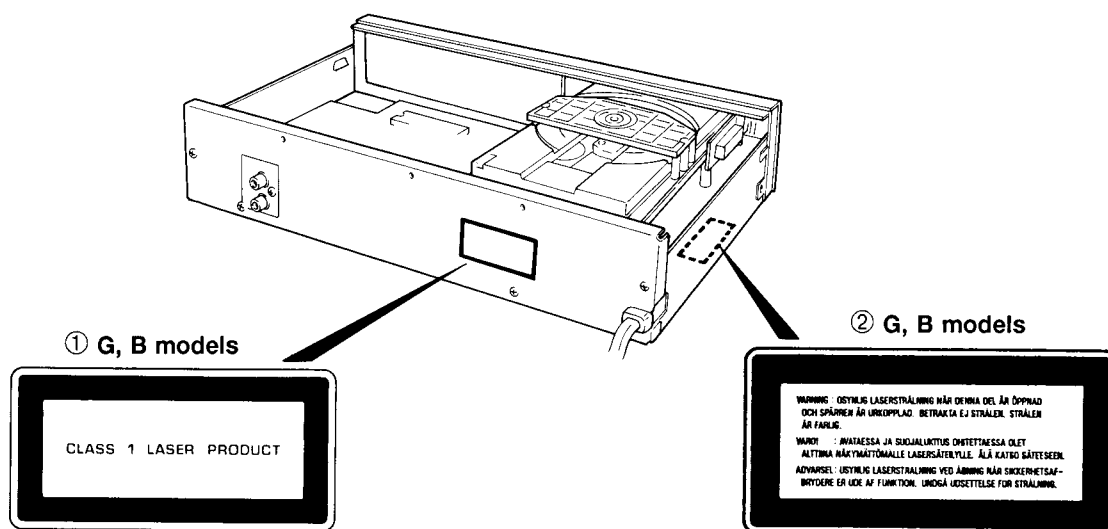
WARNING: CHEMICAL CONTENT NOTICE!

The solder used in the production of this product contains LEAD. In addition, other electrical/electronic and/or plastic (where applicable) components may also contain traces of chemicals found by the California Health and Welfare Agency (and possibly other entities) to cause cancer and/or birth defects or other reproductive harm.

DO NOT PLACE SOLDER, ELECTRICAL/ELECTRONIC OR PLASTIC COMPONENTS IN YOUR MOUTH FOR ANY REASON WHATSOEVER!

Avoid prolonged, unprotected contact between solder and your skin! When soldering, do not inhale solder fumes or expose eyes to solder/flux vapor!

If you come in contact with solder or components located inside the enclosure of this product, wash your hands before handling food.



English

- ① THIS LABEL (SEE POSITION SHOWN IN THE ILLUSTRATION) INFORMS THE USER THAT THE APPARATUS CONTAINS A LASER COMPONENT.
- ② THIS LABEL (SEE POSITION SHOWN IN THE ILLUSTRATION) WARNS THAT ANY FURTHER PROCEDURE WILL BRING THE USER INTO EXPOSURE WITH THE LASER BEAM.

CAUTION : USE OF CONTROLS, ADJUSTMENTS OR PERFORMANCE OF PROCEDURES OTHER THAN THOSE SPECIFIED HEREIN, MAY RESULT IN HAZARDOUS RADIATION EXPOSURE.

Swedish

- ① DENNA MÄRKNING (SE FIGUR) UPPLYSER OM ATT DET I APPARATEN INGÅR EN LASERKOMPONENT AV TYP KLASS 1.
- ② VARNINGSMÄRKNING (SE FIGUR) FÖR STRÅLNING. INGREPP I APPARATEN BÖR ENDAST FÖRETAGAS AV FACKMAN MED KÄNNEDOM OM LASER. APPARATEN INNEHÅLLER EN LASERKOMPONENT SOM AVGER STRÅLNING ÖVERSTIGANDE GRÄNSEN FÖR LASERKLASS 1.

VARNING : OSYNLIG LASERSTRÅLNING NÄR DENNA DEL ÄR ÖPPNAD: BETRÄKTA EJ STRÅLEN.

Danish

- ① DETTE MÆRKAT ER ANBRAGT SOM VIST I ILLUSTRATIONEN FOR AT ADVARE BRUGEREN OM AT APPARATET INDEHOLDER EN LASERKOMPONENT.
- ② DETTE MÆRKAT OM LASEREN ER ANBRAGT PÅ APPARATET SOM EN OPLYSNING OM AT APPARATET INDEHOLDER ET LASERKOMPONENT.

ADVARSEL : INDGEBB BOR KUN FORETAGES AF EN FAGMAND DA DER ER RISIKO FOR RADIOAKTIV STRÅLING.

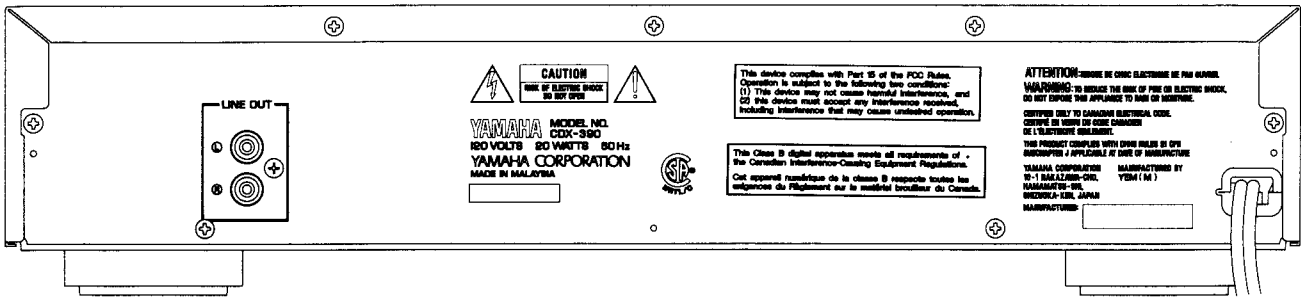
ADVARSEL : USYNLIG LASERSTRÅLING VED ÅBNING.
UNDGÅ UDSÆTTELSE FOR STRÅLING.

Finnish

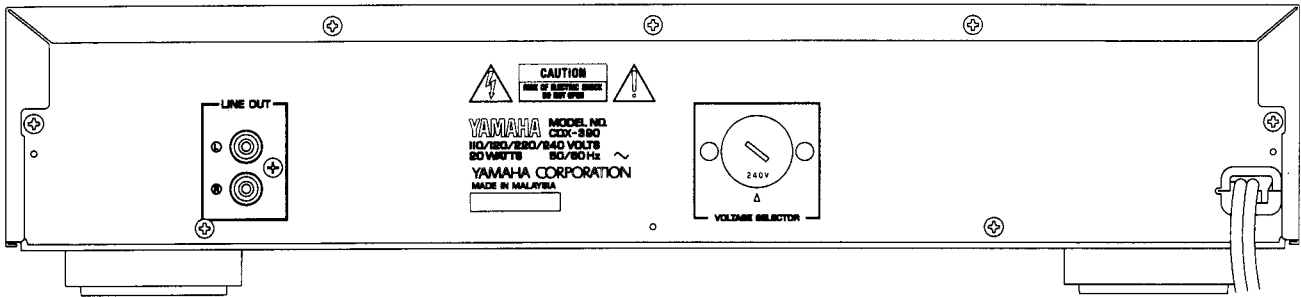
VARO! :
AVATTAESSA OLET ALTTIINA NÄKYMÄTTÖMÄLLE LASERSÄTEILYLLE. ÄLÄ KATSO SÄTEESEEN.

REAR PANELS

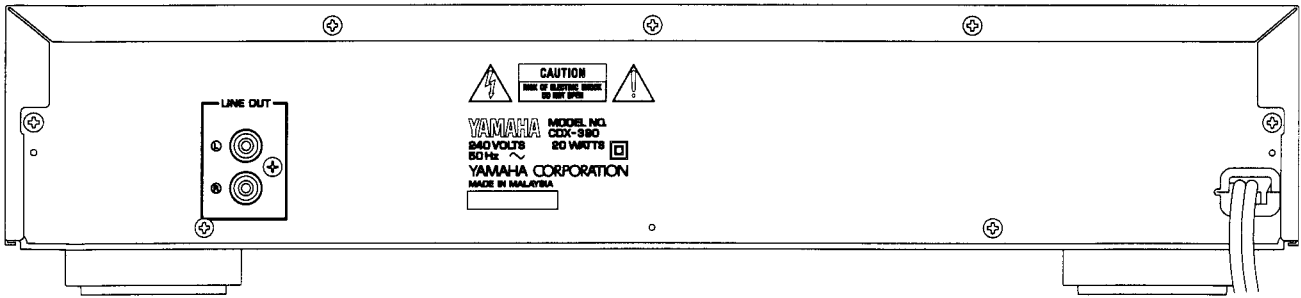
U, C models



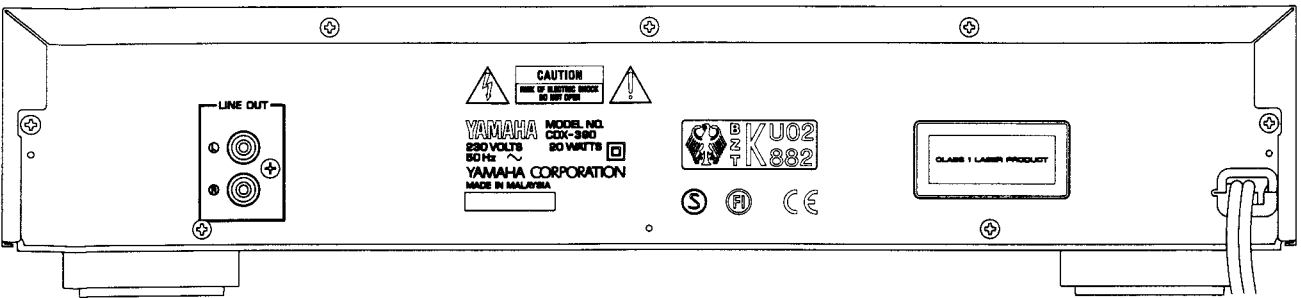
R model



A model



G, B models



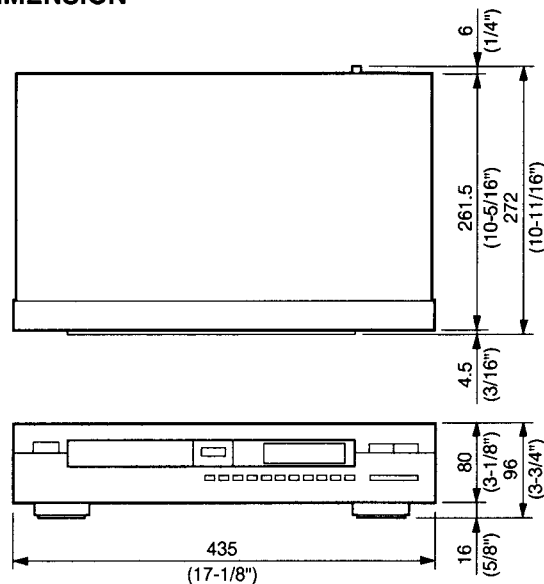
■ SPECIFICATIONS

Output Level 1kHz, 0dB	2.0±0.5Vrms
Signal to Noise Ratio (EIAJ)	105dB
Dynamic Range	95dB
Harmonic Distortion+Noise (1kHz)	0.003%
Frequency Response 2Hz — 20kHz	±0.5dB
Power Requirements	
U, C models	120V AC 60Hz
B, G, L models	230V AC 50Hz
A model	240V AC 50Hz
R model	110/120/220/240V AC 50/60Hz
Power Consumption	20W
Dimensions (W x H x D)	435 x 96 x 272mm (17-1/8" x 3-3/4" x 10-11/16")
Weight	3.8kg (8 lbs 6 oz)
Accessories	Pin plug code Remote control transmitter (Dry-cell : x 2: Size "AA", R06)

*Specifications are subject to change without notice.

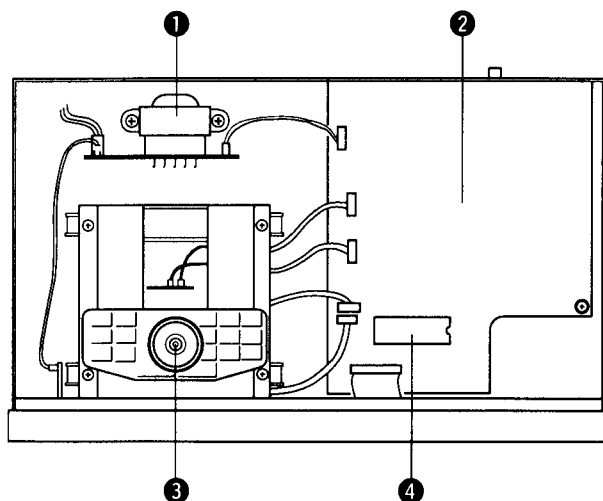
U U. S. A. model B British model
 C Canadian model G European model
 A Australian model R General model

● DIMENSION



Unit : mm (inch)

■ INTERNAL VIEW



- ① POWER TRANSFORMER
- ② P.C.B. MAIN (1)
- ③ CD MECHANISM UNIT
- ④ 4BIT μ-COM (IC12)

DISASSEMBLY PROCEDURES (Remove parts in disassembly order as numbered.)

1. Removal of Top Cover

- Remove 4 screws (①) and 3 screws (②) in Fig. 1.
- Lift the Top Cover at the rear and move it rear-ward slantingly.

2. Removal of Front Panel

- Remove 2 connectors in Fig. 2.
CB413, CB6
- Remove 3 screws (③) and 2 screws (④) in Fig. 1.
- Remove 2 hooks and then pull the Front Panel forward.

3. Removal of CD Mechanism Unit

- Remove 4 connectors in Fig. 2.
CB2~5
- Remove 5 screws (⑤) in Fig. 1.

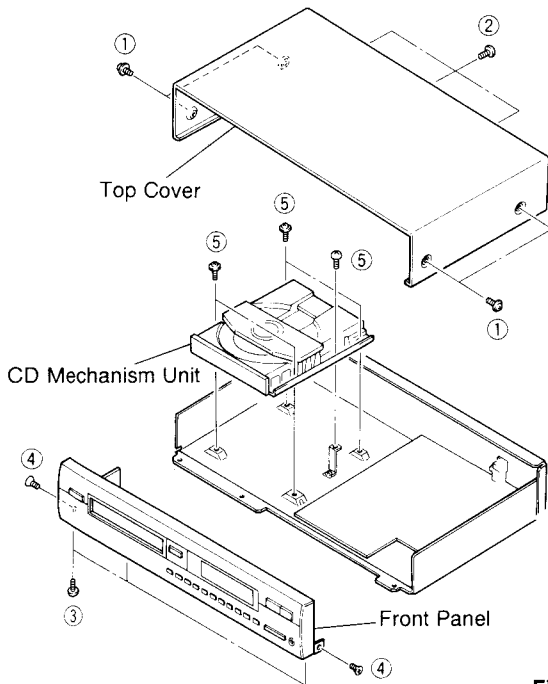


Fig. 1

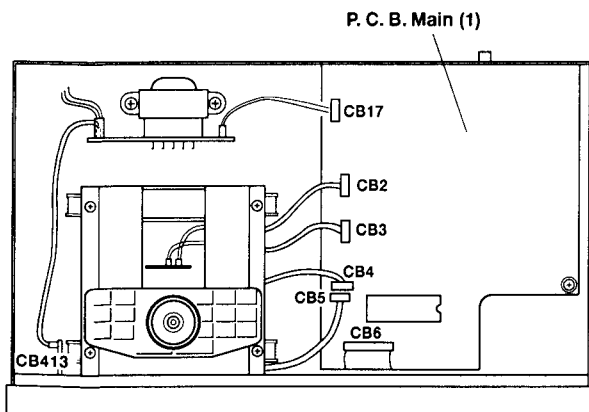


Fig. 2

4. Removal of Tray Unit

- Remove 2 screws (⑥) and then remove the Chucking Unit in Fig. 3.
- Remove 1 hook and then remove the Stopper Pin in Fig. 3.
- Rotate the Drive Gear and then open the Tray Unit in Fig. 3.
- Detach the Stoppers on both sides and then pull out the Tray in Fig. 3.

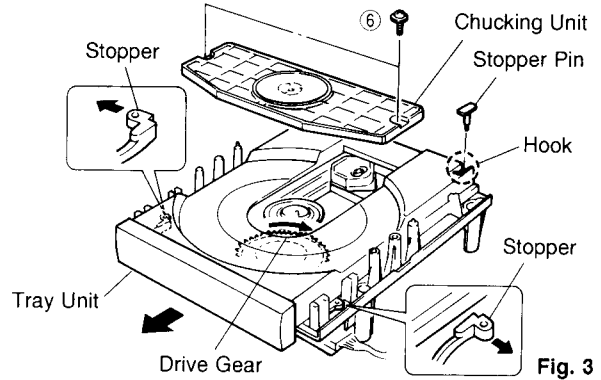


Fig. 3

5. Removal of Pick-up Head

- Remove 2 screws (⑦) in Fig. 4.
- Remove 4 screws (⑧) and then remove the Drive Unit in Fig. 4.

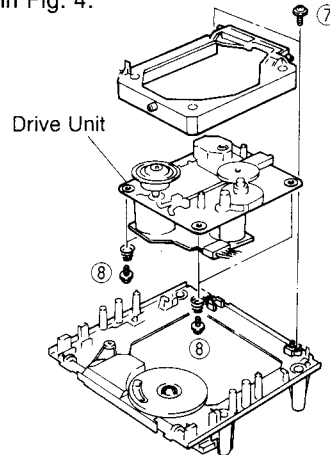


Fig. 4

- Remove the gear A in Fig. 5.
- Pull out the Sled Shaft in Fig. 5.
- Remove the Pick-up Head.

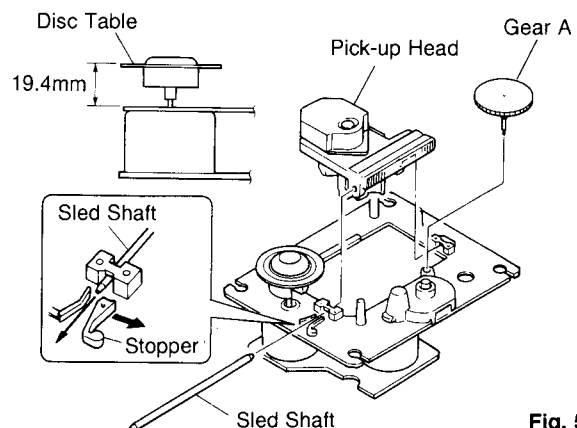
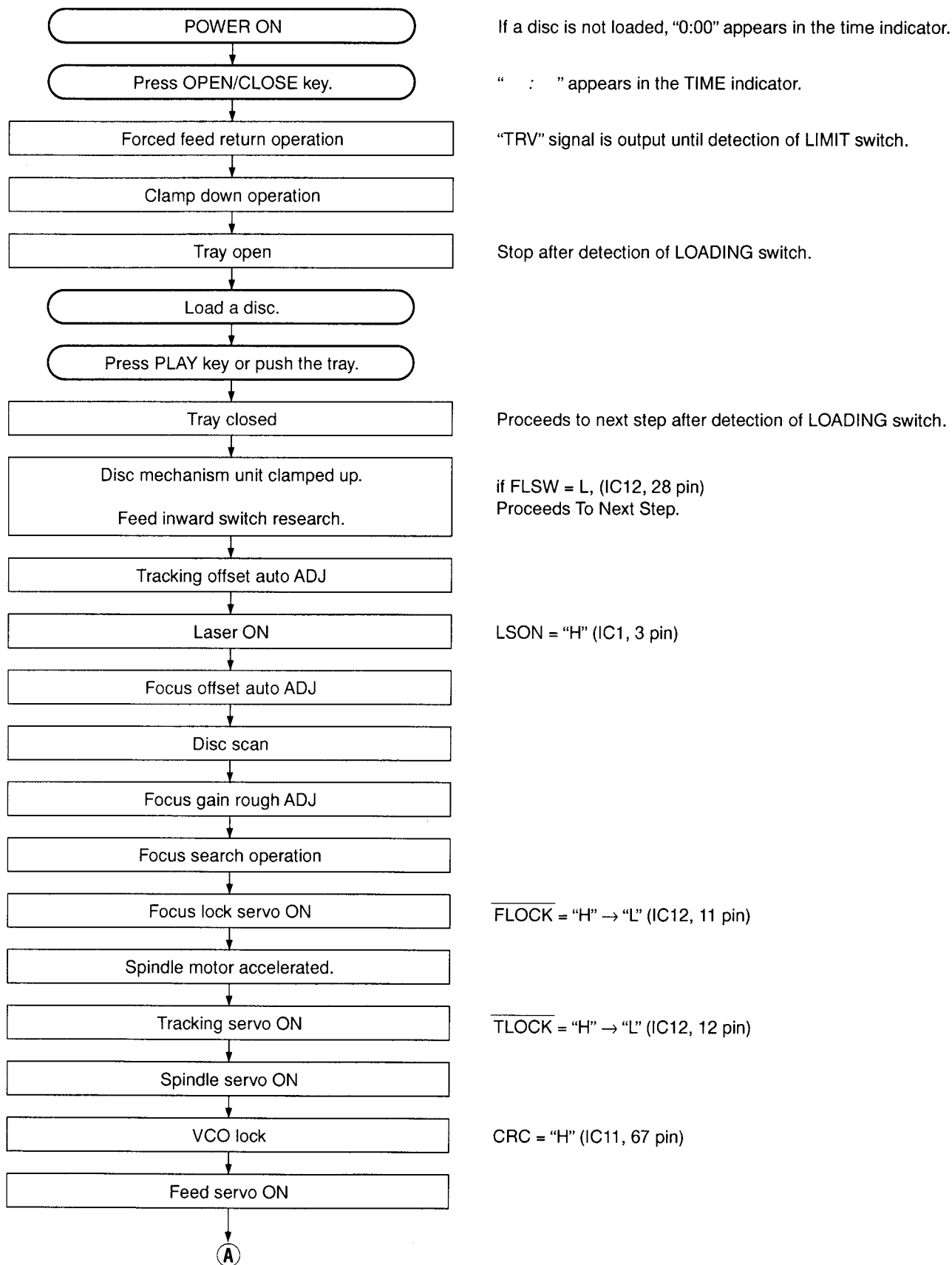
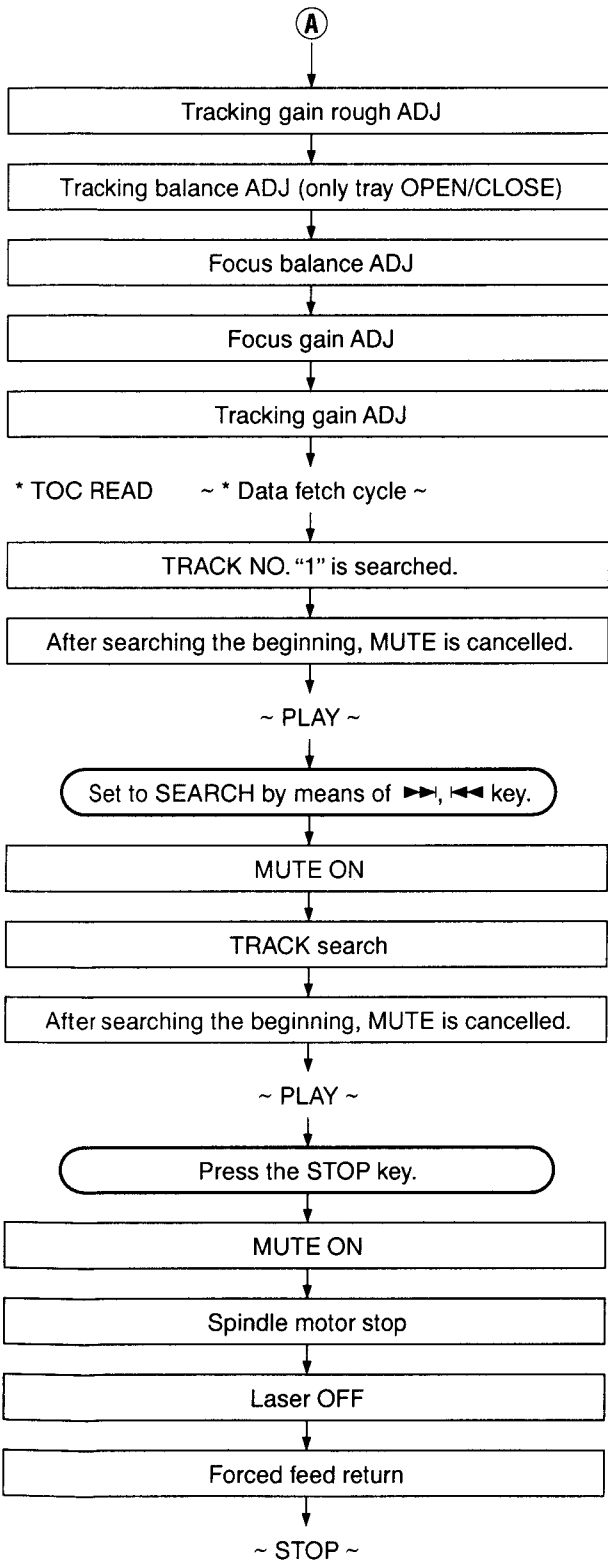


Fig. 5

■ STANDARD OPERATION CHART





: MUTE OFF = "H" → "L" (Q7 Collector)
"0:00" appears in the time indicator.

: MUTE OFF = "L" → "H"

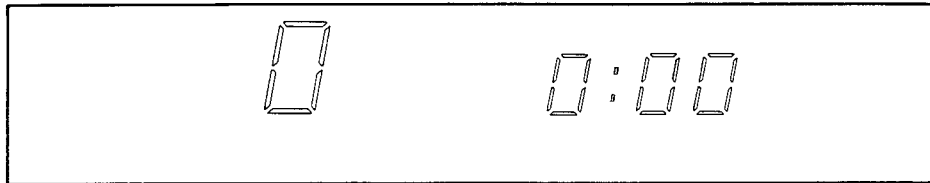
: MUTE OFF = "H" → "L"
"0:00" appears in the time indicator.

: LSON = "H" → "L" (IC1, 3 pin)

CDX-390

■ TEST MODE

(1) Turning ON the POWER while pressing the keys "4" and "7" will set to the TEST mode. (When the TEST mode is set, all indicators light for 1 second.)



(2) Shown below are the panel keys and remote control transmitter in the TEST mode.

● Function List of Panel keys

Note) "traverse servo" means the same as "feed servo".

PANEL KEY	FUNCTION
OPEN/CLOSE	Tray open/close.
PLAY/PAUSE	FOON, TRON, SPON, TVON(FEON).
STOP	All stop. (Focus, spindle, feed, laser, tray, etc.) Initializes FL display
◀◀ (SKIP/SEARCH)	Press as SKIP (Press and release quickly) : Inner circumference traverse servo. Press as SEARCH (Press and hold) : Inner 10 tracks kick continuously.
▶▶ (SKIP/SEARCH)	Press as SKIP (Press and release quickly) : Outer circumference traverse servo. Press as SEARCH (Press and hold) : Outer 10 tracks kick continuously.
+10	Rotating the mode of coefficients. (Coefficient mode → Coefficient setting → product mode) Pressing twice will set to the product mode.
1	Returns to product mode.
2	Auto adjustment mode 1 (TR-off set, FO-off set, FO-rough gain adjustment)
3	Auto adjustment mode 2 (TR-balance, TR-rough gain adjustment)
4	Auto adjustment mode 3 (FO-fine gain, TR-fine gain, FO-balance adjustment)
5	1 TRACK KICK - continuously (Coefficient set up mode : address down)
6	1 TRACK KICK + continuously (Coefficient set up mode : address up)
7	30 TRACK KICK - continuously (Coefficient set up mode : upper digit down)
8	30 TRACK KICK + continuously (Coefficient set up mode : upper digit up)
9	150 TRACK KICK - continuously (Coefficient set up mode : lower digit down)
0	150 TRACK KICK + continuously (Coefficient set up mode : lower digit up)

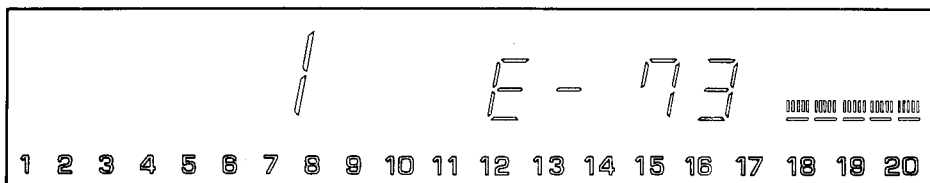
● Function List of Remote Control Transmitter

CUSTOM CODE = (79)x

CODE	KEY	FUNCTION
01	OPEN/CLOSE	Tray open/close.
02	PLAY	PLAY (FOON, TRON, TVON(FEON), SPON)
04	◀◀ SKIP	Inner circumference traverse servo.
05	◀◀ SEARCH	Inner 10 tracks kick continuously.
06	▶▶ SEARCH	Outer 10 tracks kick continuously.
07	▶▶ SKIP	Outer circumference traverse servo.
08	REPEAT S/F	FOON, TROF (Enter focus search if focus servo is off.)
0A	TIME	Checks FL display. (88 8888 → goes out → All lamps.)
0B	INDEX	FOON, TROF, TVOF(FEOF) (Enter focus search if focus servo is off.)
0C	PROG	Rotates or accelerates spindle.
0D	CLEAR	Decelerates spindle. (checking EFM pattern and reflected STAT)
0F	SPACE	FOOF, TROF, TVOF(EFOF)
10	0	150 TRACK KICK + continuously (Coefficient set up mode : lower digit up)
11	1	Returns to product mode. (tray inoperative.)
12	2	Auto adjustment mode 1 (TR-off set, FO-off set, FO-rough gain adjustment)
13	3	Auto adjustment mode 2 (TR-balance, TR-rough gain adjustment)
14	4	Auto adjustment mode 3 (FO-fine gain, TR-fine gain, FO-balance adjustment)
15	5	1 TRACK KICK - continuously (Coefficient set up mode : address down)
16	6	1 TRACK KICK + continuously (Coefficient set up mode : address up)
17	7	30 TRACK KICK - continuously (Coefficient set up mode : upper digit down)
18	8	30 TRACK KICK + continuously (Coefficient set up mode : upper digit up)
19	9	150 TRACK KICK - continuously (Coefficient set up mode : lower digit down)
1A	+10	Rotating the mode of coefficients.
1B	RANDOM	SPON (Spindle servo on.)
1E	DIMMER	Checks FL display. (All lamps → 88 8888 → goes out.)
55	PAUSE	FOON, TROF, TVOF(EFOF) (Enter focus search if focus servo is off.)
56	STOP	All stop. (Focus, spindle, traverse, laser, tray, etc.)
57	TAPE	Spindle free (off)
58	SYNCHRO	TV(Feed) REV
5D	PEAK	—

■ ERROR MESSAGE

- (1) When operation is terminated in an abnormal condition (stop or open), pressing STOP on the remote control while pressing STOP on the panel will set to the error message display enable mode.
- (2) Shown below is an example of display. ("E-73" as an example)



- (3) This function stays effective till the power is turned OFF. (It is cleared at OFF.)
- (4) Listed in the table below are error messages.

● Error Messages List

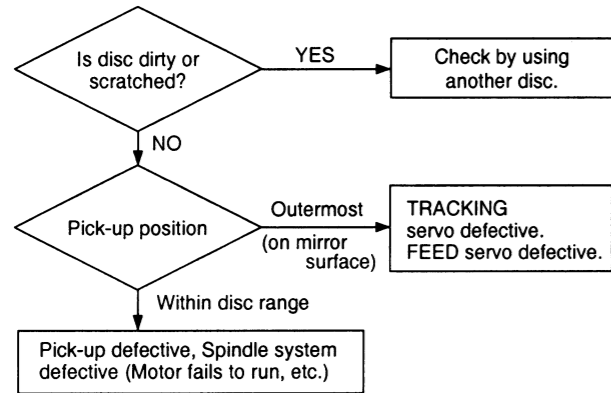
ERROR MESSAGES	DESCRIPTION
E - X 0	Data cannot be read after finishing search.
E - X 1	Data cannot be read during PLAY(X=0), PAUSE(X=3), or SCAN(X=2).
E - 7 1	At the start, tracking servo is not effective.
E - 7 2	At the start, spindle servo PLL is not effective.
E - 7 3	At the start, data can not read.
E - 9 4	Close switch does not work with tray closed.
E - - 5	Open switch does not work with tray open.
E - X 7	Traverse(Feed) inner switch does not work.
E - X 8	Recovery action fails after focus drop.
E r r	MN66271 does not give response of SENSE, with resetting by the unit's microcomputer.

*No. for each state (meaning of "X")

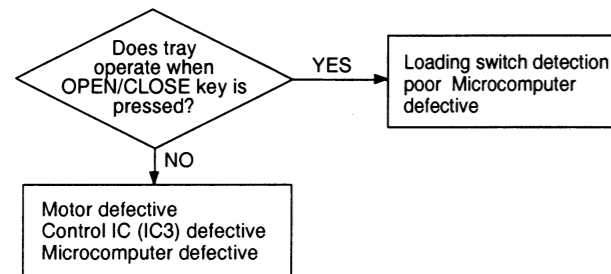
PLAY	X="0"
SCAN	X="2"
PAUSE	X="3"
PEAK SEARCH	X="4"
SEARCH	X="5"
START	X="7"
STOP	X="8"
LOADING	X="9"
OPEN	X="-"
NO DISC	X="C"

1) Error Code Troubleshooting

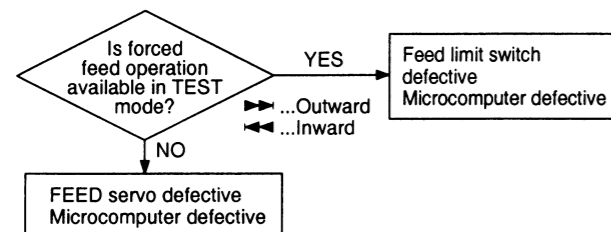
Error code **X0** , **X1** , **73** Data cannot be read.



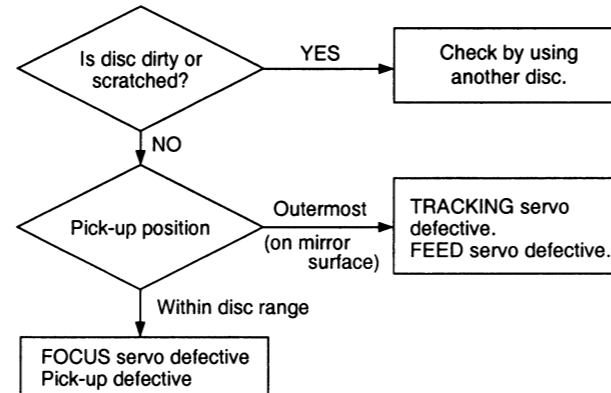
Error codes **94** , **-5** Poor tray loading operation.



Error code **X7** FEED operation defective. (Limit switch fails)

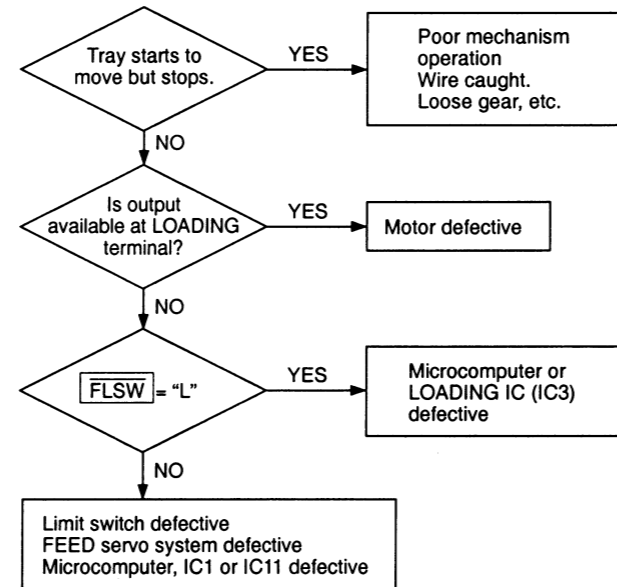


Error code **X8** Focus drops.



2) Troubleshooting from System Malfunctions

a) Tray fails to come out/go in.

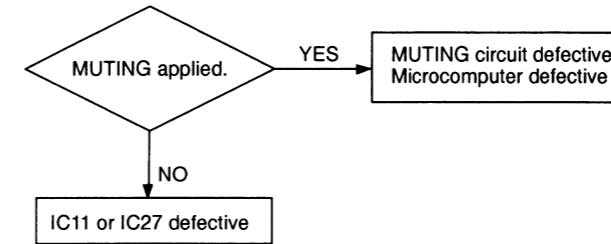


When tray fails to close completely (when it stops midway)

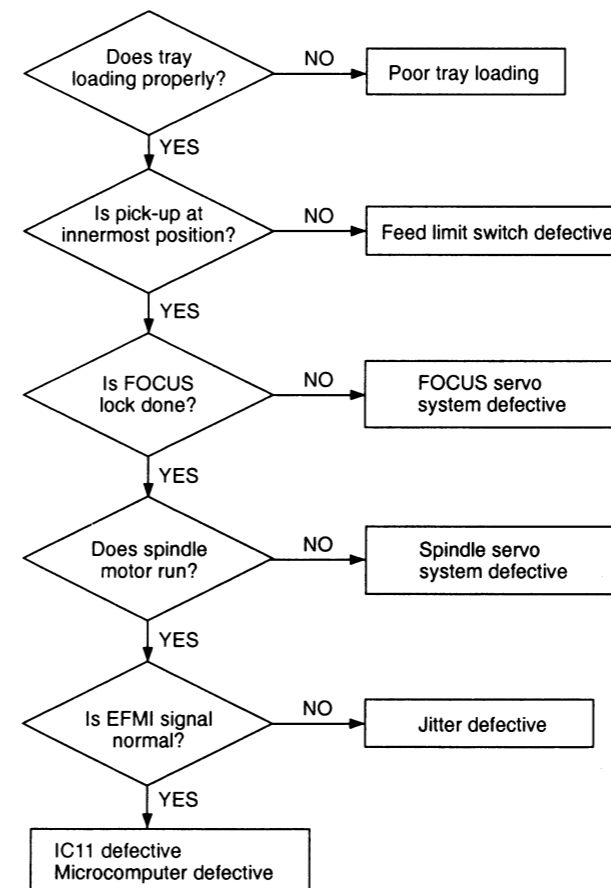
[Corrective measure]

- 1) Turn ON the power and open the tray.
 - * If it failed to open (head and tray contacting each other), open it after removing the chucking unit.
- 2) Turn OFF the power and force the tray to go in fully and close.
- 3) With the power turned ON, open and close the tray to check if the tray close completely.

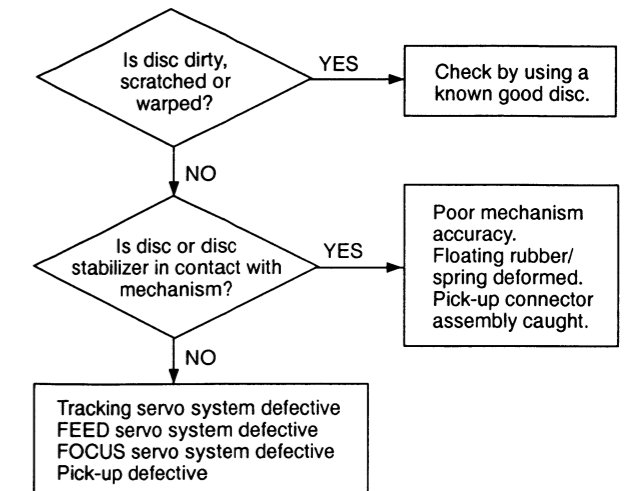
b) No sound generated, Sound cut during play. (but time display advances properly)



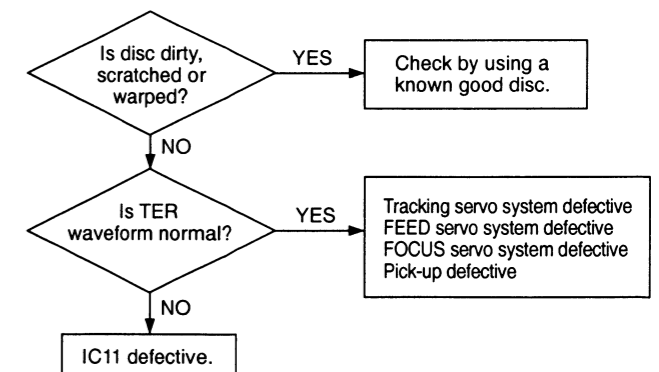
c) Operates as if no disc loaded. (although loaded)



d) Sound skips. (Time display fails to advance properly)

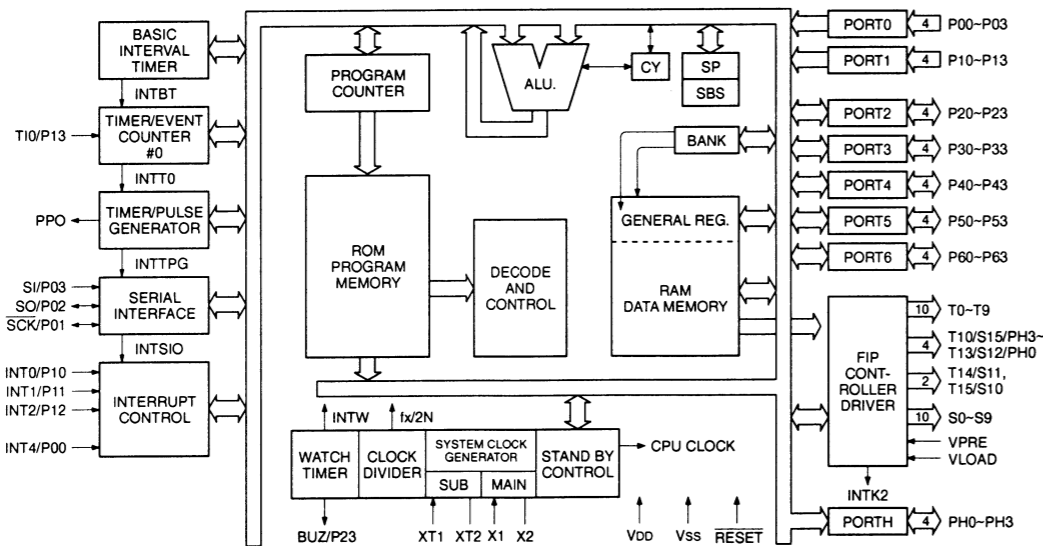
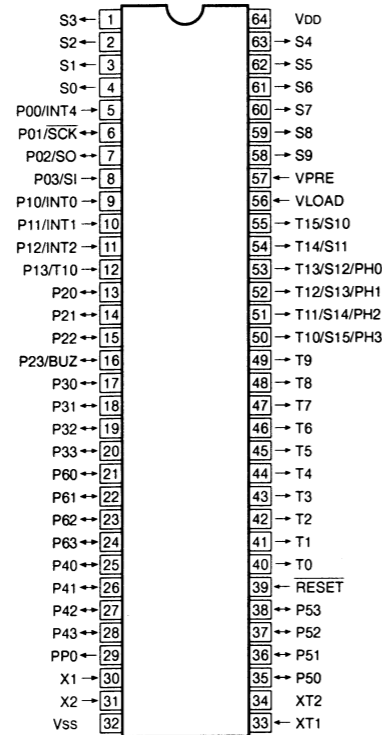


e) No search provided. (Sound skipped after search)



■ IC DATA

IC12 : μ PD75217CW
System Controller (4bit μ -COM)



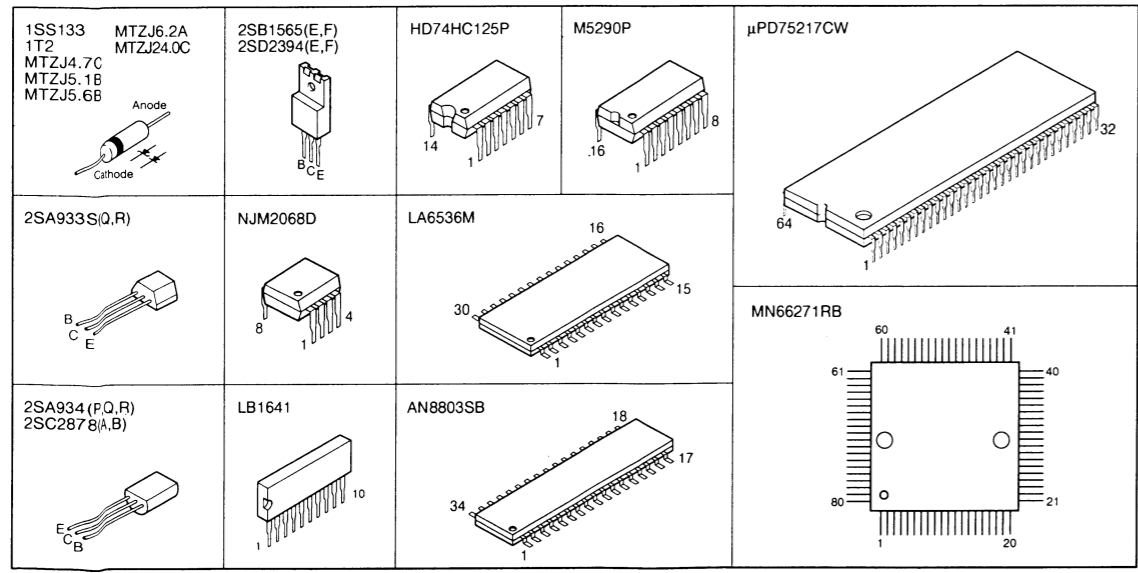
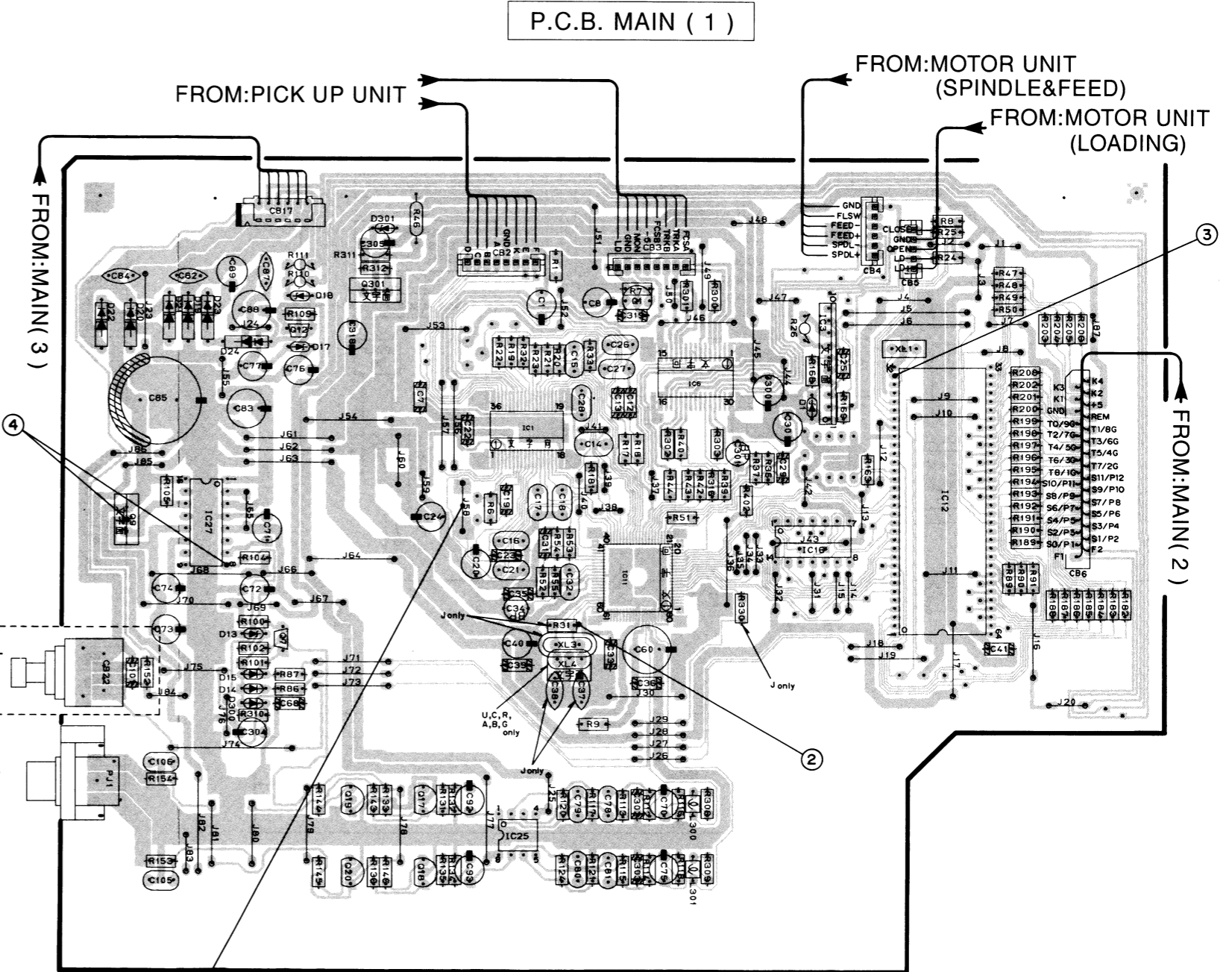
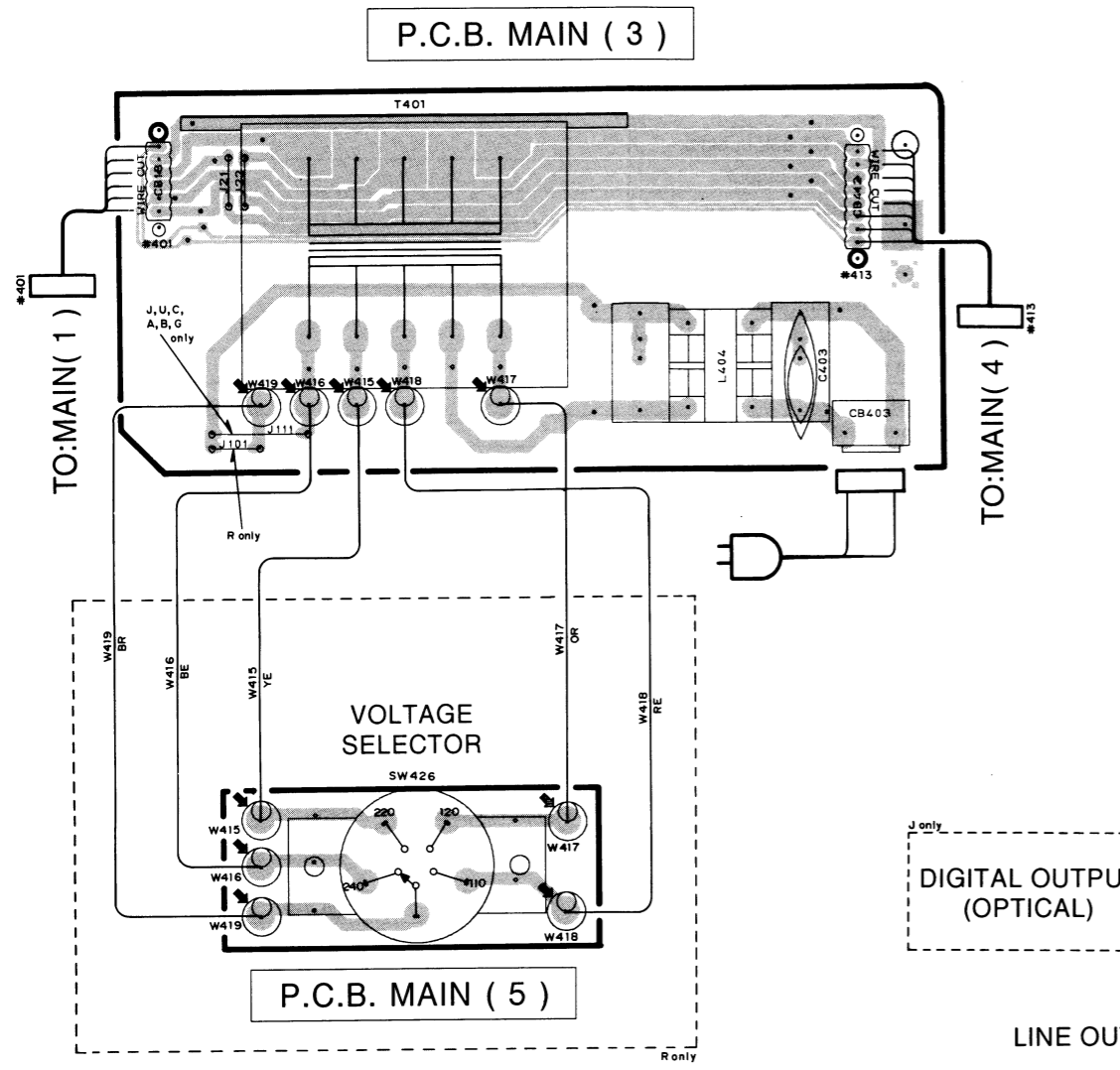
Pin No.	Pin Name	Description	Function
1	S3	S3	Fluorescent character display tube anode drive signal
2	S2	S2	
3	S1	S1	
4	S0	S0	
5	PO0	D/A	N.C
6	PO1	SCK	Serial clock output to MN66271
7	PO2	SO	Serial data output to MN66271
8	PO3	SI	Serial data input from MN66271
9	P10	REM	Input from remote control beam receiving unit
10	P11	BLKICK	Synchronous clock input for Q-code RCV from MN66271 (Fine pulse at RCV, normally LO)
11	P12	FLOCK	FOCUS lock signal input from MN66271 (LO at LOCK)

Pin No.	Pin Name	Description	Function	
12	P13	TLOCK	Tracking lock signal input from MN66271 (HI at LOCK)	
13	P20	MLD	Read signal output for transmitting command from MN66271 (After command transmission, LO pulse at LOAD TIMING)	
14	P21	COMMAND	Serial I/F switching signal output (switching at 74HC125) Q CODE received at HI	
15	P22	QCODE	Serial I/F switching signal output (switching at 74HC125) CMD transmit/receive selection	
16	P23	DMUTE	Digital mute signal output (HI at MUTE)	
17	P30	STAT	STAT signal input	
18	P31	MNRESET	RESET signal output (LO at RESET)	
19	P32	SCL	Serial clock signal with X24C00 (Open)	
20	P33	SDA	Serial data signal with X24C00 (+5V)	
21	P60	MUTE	Analog mute signal output (LO at MUTE)	
22	P61	—	Open	
23	P62	—	Open	
24	P63	—	MODEL selection ("L")	
25	P40	—	MODEL selection ("H")	
26	P41	OPSW	Open state of tray sensing switch input Open state at "L"	
27	P42	CLSW	Closed state of tray sensing switch input Closed state at "L"	
28	P43	FELTSW	Feed origin switch input Feed origin at "L"	
29	PP0	LED	LED ON/OFF signal (Open)	
30	X1	X1] Crystal oscillator Oscillation terminal (4.19MHz)	
31	X2	X0		
32	VSS	VSS	GND	
33	XT1	—	Open	
34	XT2	—	Open	
35	P50	K3] Key matrix input	
36	P51	K2		
37	P52	K1		
38	P53	K0		
39	RESET	RESET	Reset input	
40	T0	T0/9G] Fluorescent character display tube grid drive signal	
41	T1	T1/8G		
42	T2	T2/7G		
43	T3	T3/6G		
44	T4	T4/5G		
45	T5	T5/4G		
46	T6	T6/3G		
47	T7	T7/2G		
48	T8	T8/1G		
49	T9	—	Open	
50	T10	OPEN	Opening of tray at OP "H" and CL "L"	
51	T11	CLOSE	Closing of tray at CL "H" and OP "L"	
52	T12	VLUP	Volume motor drive signal (UP) (Open)	
53	T13	VLDN	Volume motor drive signal (DOWN) (Open)	
54	T14	S11] Fluorescent character display tube anode drive signal	
55	T15	S10		
56	V LOAD	-VP		-20V
57	V PRE	GND		GND
58	S9	S9] Fluorescent character display tube anode drive signal	
59	S8	S8		
60	S7	S7		
61	S6	S6		
62	S5	S5		
63	S4	S4		
64	VDD	+5		+5V

PRINTED CIRCUIT BOARD (Foil side) / シート図 (パターン側)

①~④ : TEST POINT WAVEFORMS (See page 22) / 波形ポイント (20ページ参照)

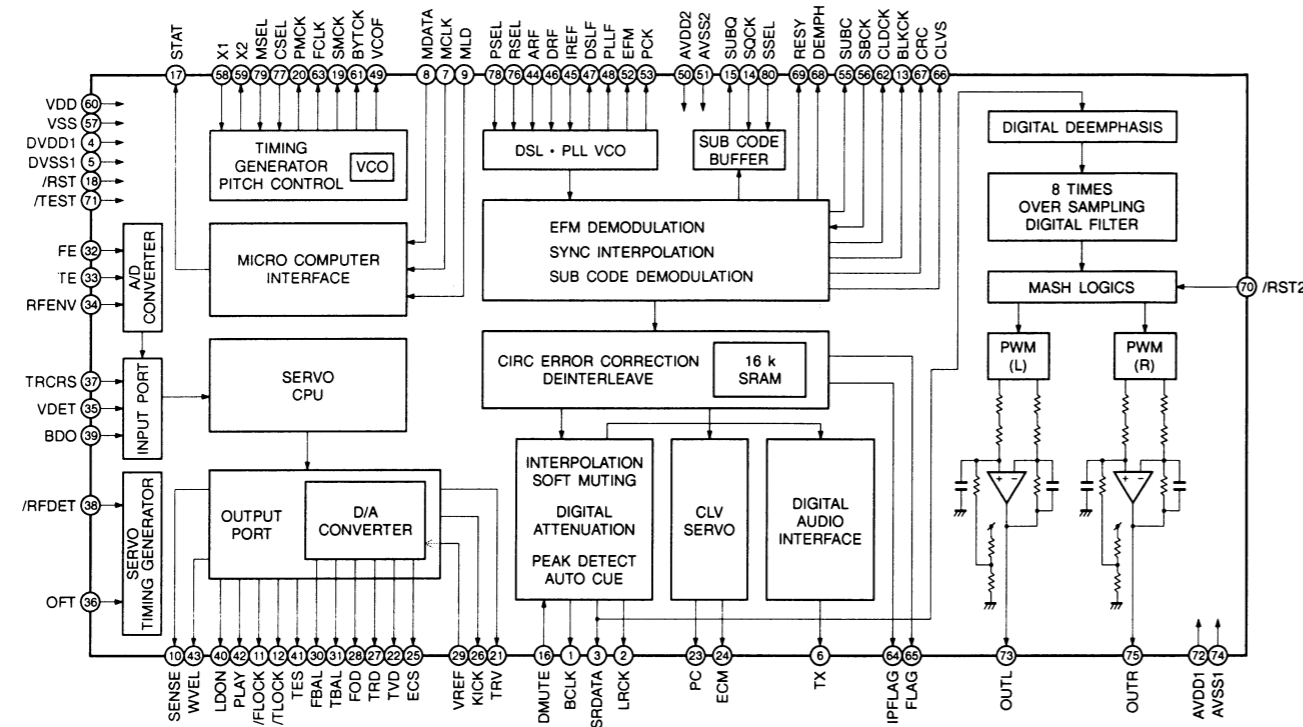
1
2
3
4
5
6



● Semiconductor Location

Ref. No.	Location
IC 1	F3
IC 3	G2
IC 6	F2
IC 11	F3
IC 12	G3
IC 16	G3
IC 25	F4
IC 27	E3
Q 1	F2
Q 7	E4
Q 9	D3
Q 12	E2
Q 17	E4
Q 18	E4
Q 19	E4
Q 20	E4
Q 301	E2

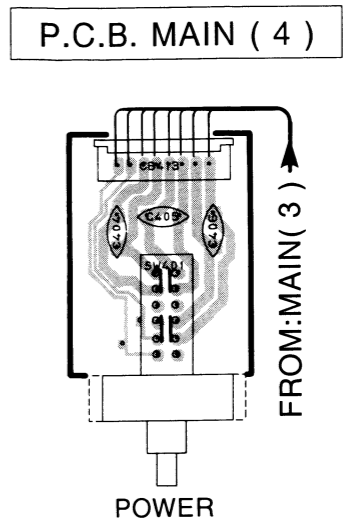
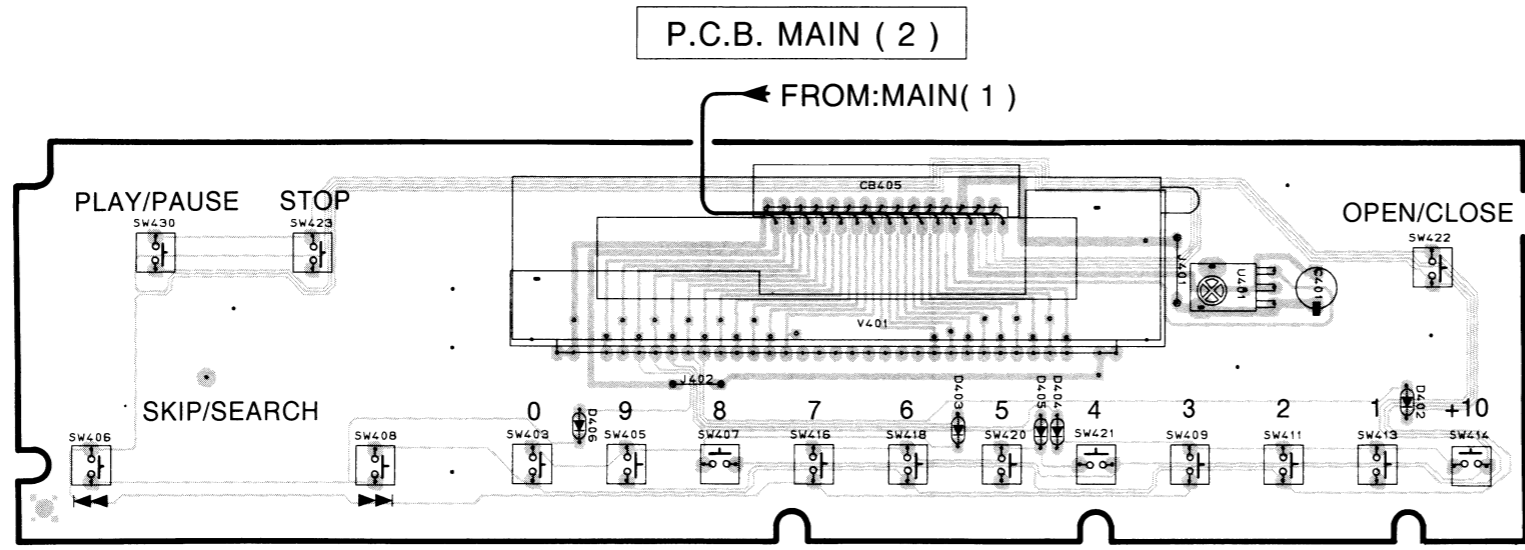
IC11 : MN66271RA
Signal Processor & Controller (SPC)



Pin No.	Name	I/O	Function
1	BCLK	O	Bit clock output for SR DATA (NC)
2	LRCK	O	L/R identification signal output (NC)
3	SRDATA	O	Serial data output (NC)
4	DVDD1	I	Power supply for digital circuit (+5)
5	DVSS1	I	GND for digital circuit
6	TX	O	Digital, audio, interface output signal
7	MCLK	I	Microprocessor command clock signal input (data latched at leading edge)
8	MDATA	I	Microprocessor command data input
9	MLD	I	Microprocessor command load signal input L : LOAD
10	SENSE	O	Sense signal output
11	FLOCK	O	Focus servo drawing signal (L : when drawn)
12	TLCK	O	Tracking servo drawing signal (L : when drawn)
13	BLKCK	O	Sub code block clock signal
14	SQCK	I	Clock input for sub-code Q register
15	SUBQ	O	Sub-code Q code output
16	DMUTE	I	Muting input H : MUTE
17	STAT	O	Status signal
18	RST	I	Reset input L : RESET
19	SMCK	O	8.4672MHz clock signal output when MSEL = H 4.2336MHz clock signal output when MSEL = L (NC)
20	PMCK	O	88.2KHz clock signal output (NC)
21	TRV	O	Traverse (Feed) forced feed output
22	TVD	O	Traverse (Feed) drive output
23	PC	O	Spindle motor ON signal L : ON (NC)
24	ECM	O	Spindle motor drive signal (forced mode output) 3-State
25	ECS	O	Spindle motor drive signal (servo error signal output)

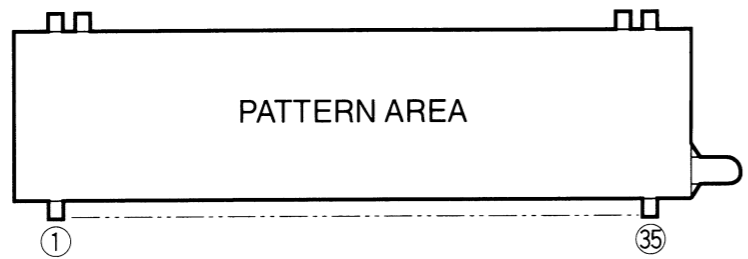
Pin No.	Name	I/O	Function
26	KICK	O	Kick pulse output
27	TRD	O	Tracking drive output
28	FOD	O	Focus drive output
29	VREF	I	Reference voltage for DA output block
30	FBAL	O	Focus balance adjustment output
31	TBAL	O	Tracking balance adjustment output
32	FE	I	Focus error signal input (analog input)
33	TE	I	Tracking error signal input (analog input)
34	RFENV	I	RF envelope signal input (analog input)
35	VDET	I	Oscillation detect signal input (H : DETECT)
36	OFT	I	Off track signal input (H : OFF TRACK)
37	TRCRS	I	Track cross signal input
38	RFDET	I	RF detect signal input (L : DETECT)
39	BDO	I	Drop out signal input (H : DROP OUT)
40	LDON	O	Laser ON signal output (H : ON)
41	TES	O	Tracking error shunt signal output (H : SHUNT)
42	PLAY	O	Play signal output (H : PLAY) (NC)
43	WVEL	O	Double speed status signal output (NC)
44	ARF	I	RF signal input
45	IREF	I	Reference current input terminal
46	DRF	I	Bias terminal for DSL (NC)
47	DSL	I/O	Loop filter terminal for DSL
48	PLL	I/O	Loop filter terminal for PLL
49	VCOF	I/O	Loop filter terminal for VCO (NC)
50	AVDD2	I	Power supply for analog circuit (for DSL, PLL, OA output blocks) (+5)
51	AVSS2	I	GND for analog circuit (for DSL, PLL, DA output blocks) (GND)
52	EFM	O	EFM signal output (NC)
53	PCK	O	PLL extract clock output (f PCK = 4.321MHz) (NC)
54	PDO	O	EFM signal to PCK signal phase comparison signal output (NC)
55	SUBC	O	Sub-code serial output data output (NC)
56	SBCK	I	Clock input for sub-code serial output (GND)
57	VSS	I	GND for oscillation circuit
58	X1	I	Crystal oscillation circuit input terminal (f = 16.9344MHz)
59	X2	O	Crystal oscillation circuit output terminal (f = 16.9344MHz)
60	VDD	I	Power supply for oscillation circuit (+5)
61	BYTCK	O	Byte clock output (NC)
62	CLDCK	O	Sub-code frame clock signal output (f CLDCK = 7.35kHz) (NC)
63	FCLK	O	Crystal frame clock output (f FCLK = 7.35kHz) (NC)
64	IPFLAG	O	Interpolation flag output H : INTERPOLATION (NC)
65	FLAG	O	Flag output (NC)
66	CLVS	O	Spindle servo phase synchronous status signal out H : CLV L : ROUGH SERVO (NC)
67	CRC	O	Sub-code CRC check result output H : OK, L : NG (NC)
68	DEMPH	O	Deemphasis detect signal output H : ON (NC)
69	RESY	O	Re-synchronous signal output of frame synchronization H : SYNCHRONOUS L : ASYNCHRONOUS (NC)
70	RST2	I	Reset terminal for stop after MASH circuit (L : RESET) (+5)
71	TEST	I	Test terminal (Normal : H) (+5)
72	AVDD1	I	Power supply for analog circuit (for audio output section (used for both L and R channels))
73	OUTL	O	L channel output
74	AVSS1	I	GND for analog circuit (for audio output section (used for both L and R channels))
75	OUTR	O	R channel output
76	RSEL	I	RF signal polarity specifying terminal RSEL = H when Bright level is at "H" RSEL = L when Bright level is at "L" (+5)
77	CSEL	I	Crystal oscillation frequency specifying terminal (Normal : L) (GND)
78	PSEL	I	Test terminal (Normal : L) (GND)
79	MSEL	I	SMCK terminal Output frequency switch terminal H : SMCK = 8.4672MHz, L : SMCK = 4.2336MHz (GND)
80	SSEL	I	SUBQ terminal Output mode switch terminal H : Q code buffer use mode (+5)

■ PRINTED CIRCUIT BOARD (Foil side) / シート図 (パターン側)

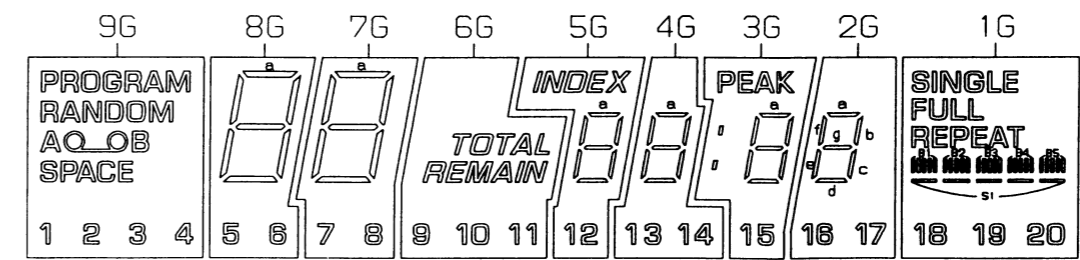


■ DISPLAY DATA / ディスプレイデータ (VR061600)

V401 : 9-MT-133GK



GRID ASSIGNMENT



PIN CONNECTION

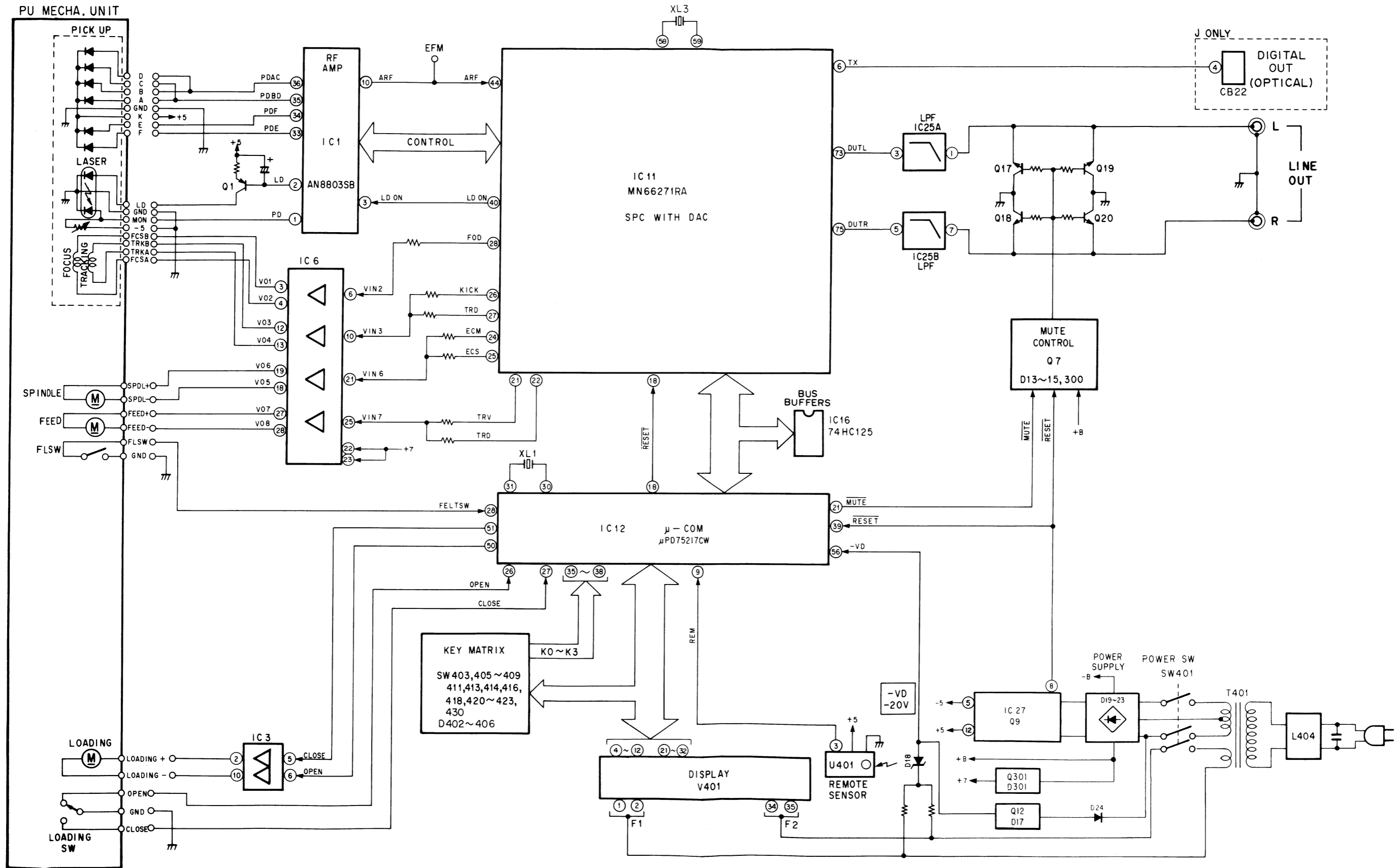
PIN NO.	1	2	3	4	5	6	7	8	9	10	11	12	13	14	15	16	17	18
CONNECTION	F1	F1	NP	9G	8G	7G	6G	5G	4G	3G	2G	1G	NC	NC	NC	NC	NC	NC
PIN NO.	19	20	21	22	23	24	25	26	27	28	29	30	31	32	33	34	35	
CONNECTION	NC	NC	P12	P11	P10	P9	P8	P7	P6	P5	P4	P3	P2	P1	NP	F2	F2	

NOTE 1) F1, F2 Filament
 2) NP No pin
 3) NC No connection
 4) P1~P10 Datum Line
 5) 1G~9G Grid

ANODE CONNECTION

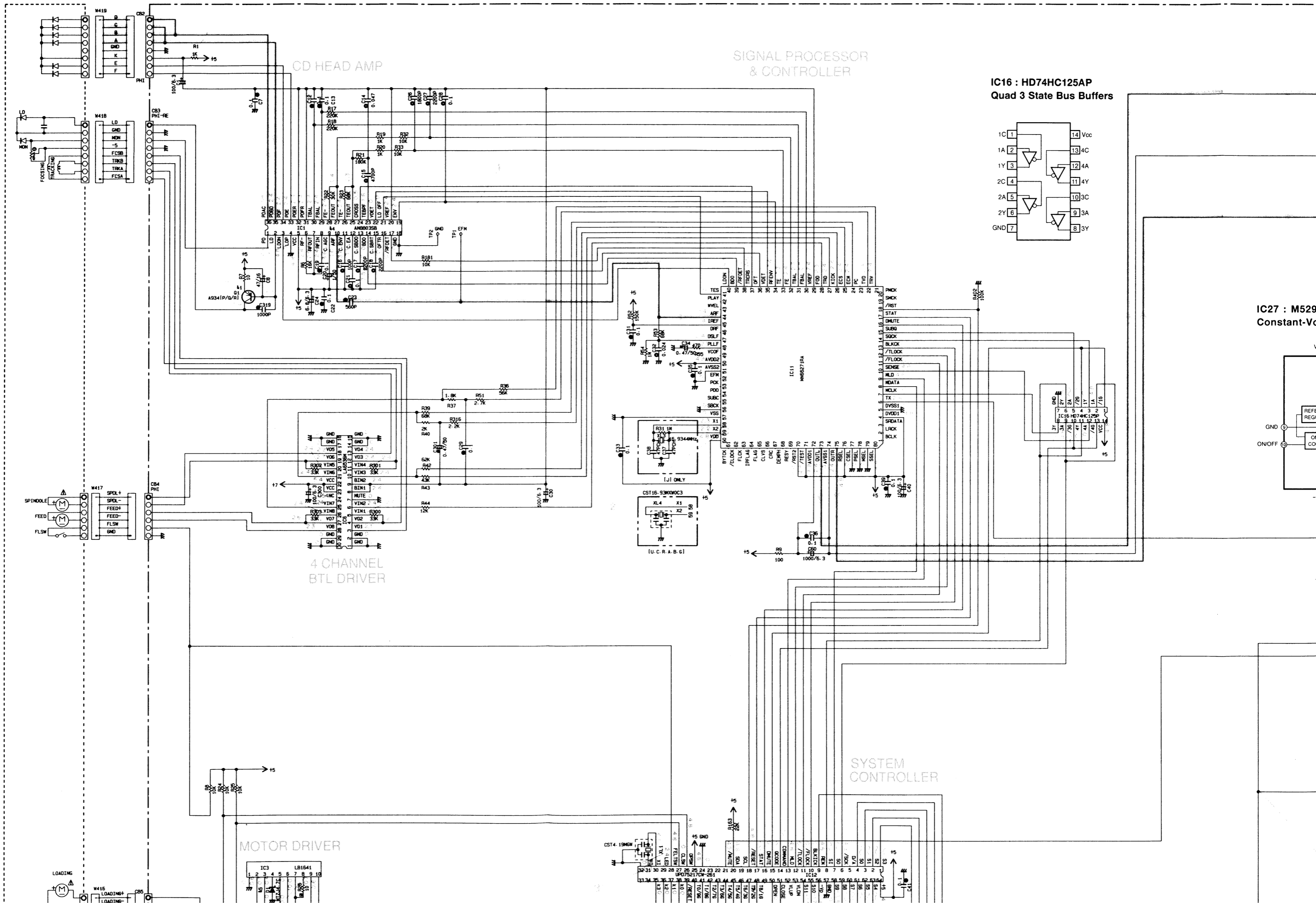
	9G	8G	7G	6G	5G	4G	3G	2G	1G
P1	PROGRAM	a	a	TOTAL	a	a	a	a	SINGLE
P2	RANDOM	b	b	REMAIN	b	b	b	b	FULL
P3	A	c	c	—	c	c	c	c	REPEAT
P4	○ ○	d	d	—	d	d	d	d	B1
P5	B	e	e	—	e	e	e	e	B2
P6	SPACE	f	f	—	f	f	f	f	B3
P7	—	g	g	—	g	g	g	g	B4
P8	—	—	—	—	—	—	:	—	B5
P9	1	5	7	9	12	13	15	16	S1
P10	2	6	8	10	INDEX	14	PEAK	17	18
P11	3	—	—	11	—	—	—	—	19
P12	4	—	—	—	—	—	—	—	20

■ BLOCK DIAGRAM / ブロックダイアグラム



■ SCHEMATIC DIAGRAM / 総回路図

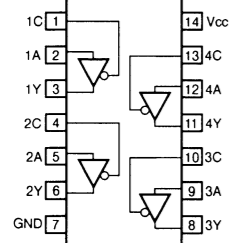
※ The voltage are measured by TEST mode at PLAY / 各電圧は、ノーマルプレイ時の電圧です。



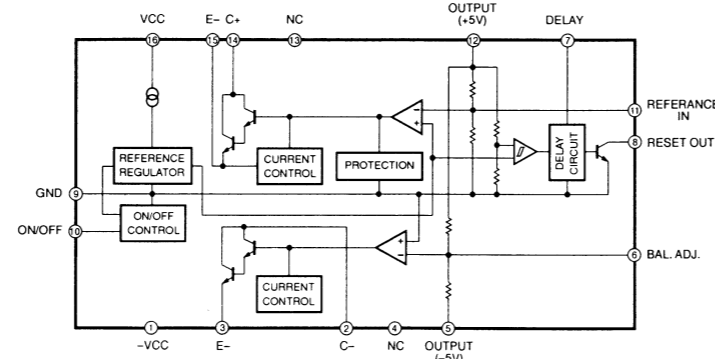
1
2
3
4
5
6

プレイ時の電圧です。

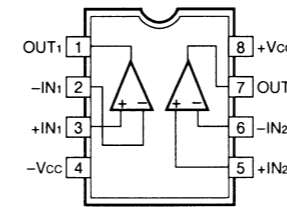
IC16 : HD74HC125AP
Quad 3 State Bus Buffers



IC27 : M5290P
Constant-Voltage Tracking Supply with Reset



IC25 : NJM2068D-D
Dual OP-Amp



L.P.F.

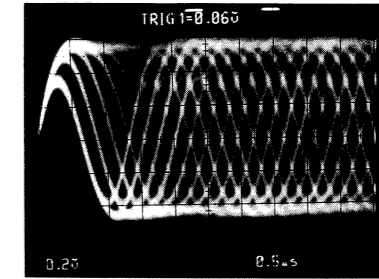
MUTING

MUTE CONTROL

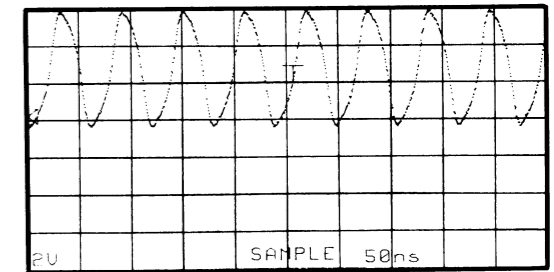
POWER SUPPLY

<J. U. C. A. B. G>

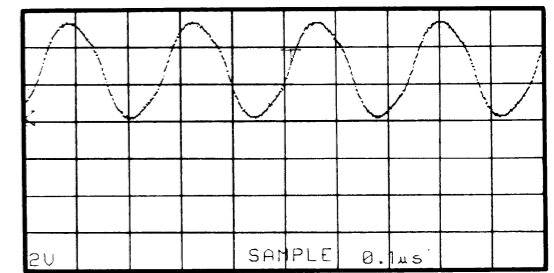
Point ① TP1 (EFM)
V : 0.2V/div H : 0.5μsec/div
AC range 1 : 1 probe



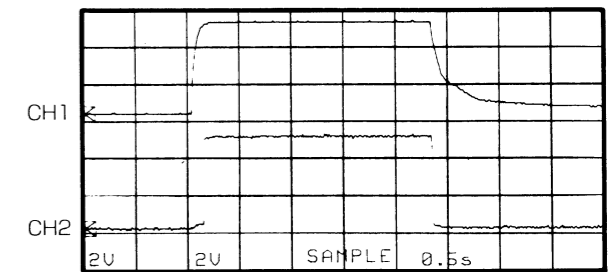
Point ② (Pin 59 of IC11)
V : 2V/div H : 50ns/div
DC range 1 : 1 probe



Point ③ (Pin 31 of IC12)
V : 2V/div H : 0.1μsec/div
DC range 1 : 1 probe



Point ④ (CH1 : Collector of Q9 V : 5V/div CH1
CH2 : Pin8 of IC27 V : 2V/div CH2
H : 0.5sec/div DC range 1 : 1 probe



POWER ON

POWER OFF

DIGITAL OUT (OPTICAL)

<J. U. C. A. B. G>

5

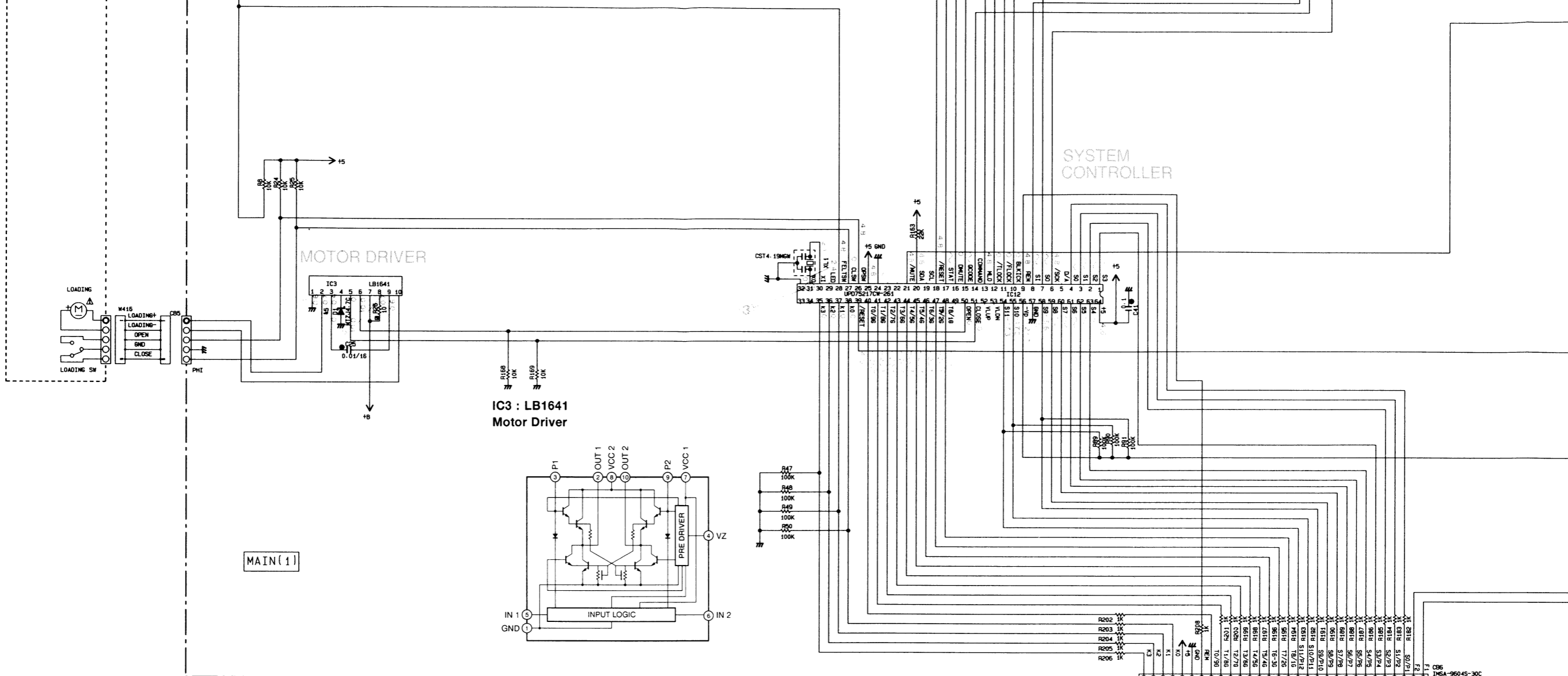
6

7

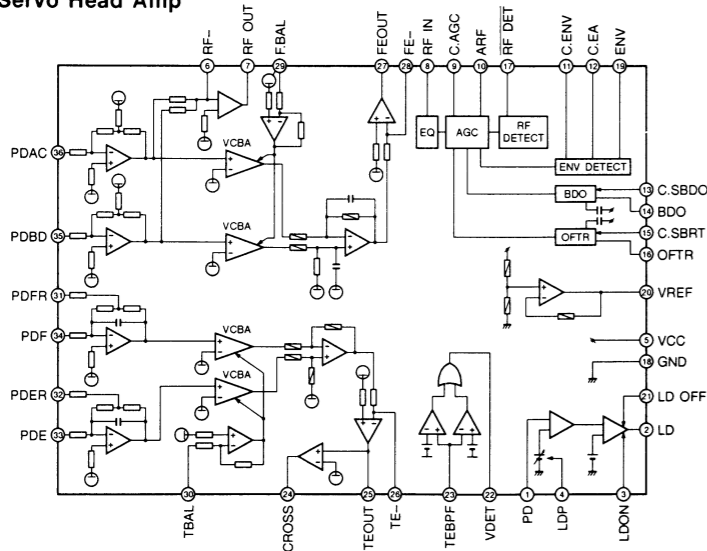
8

9

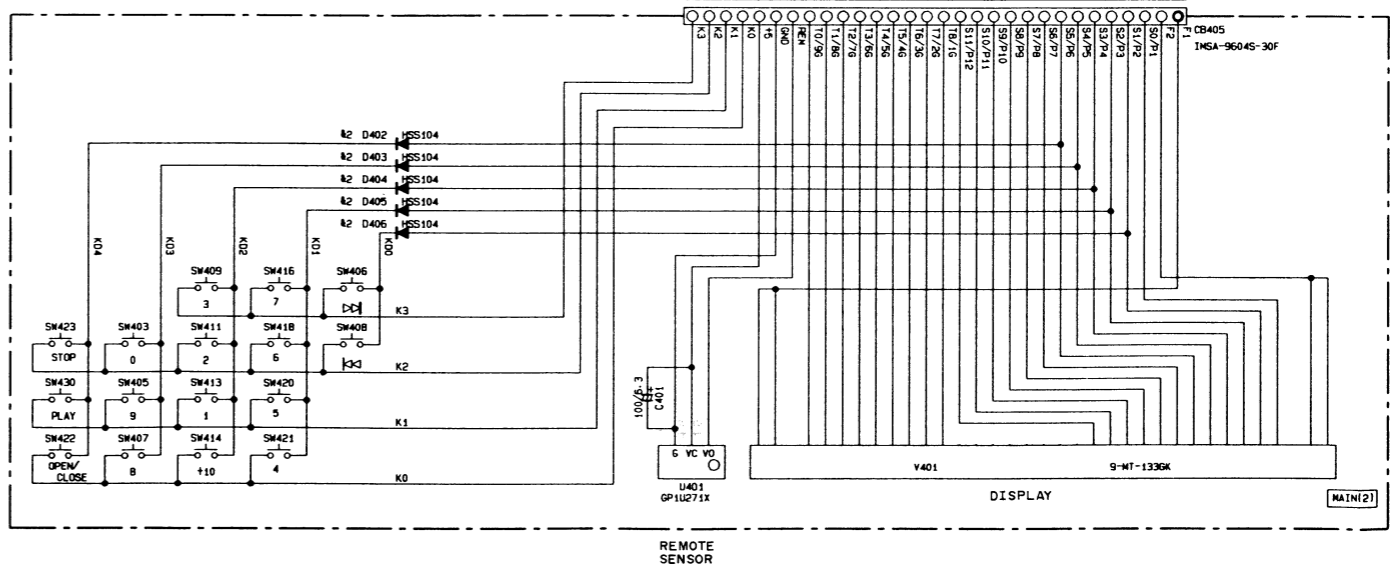
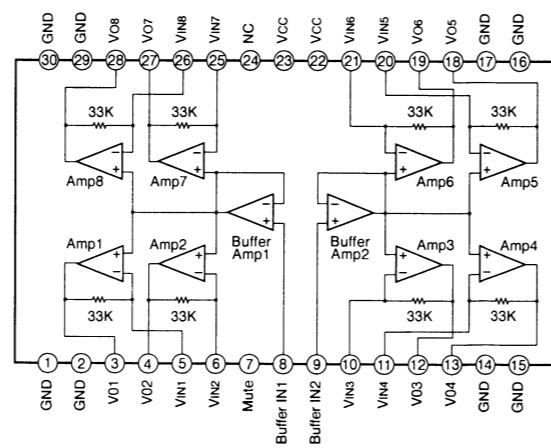
10

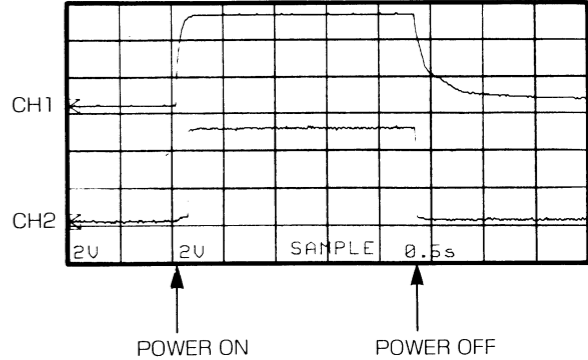
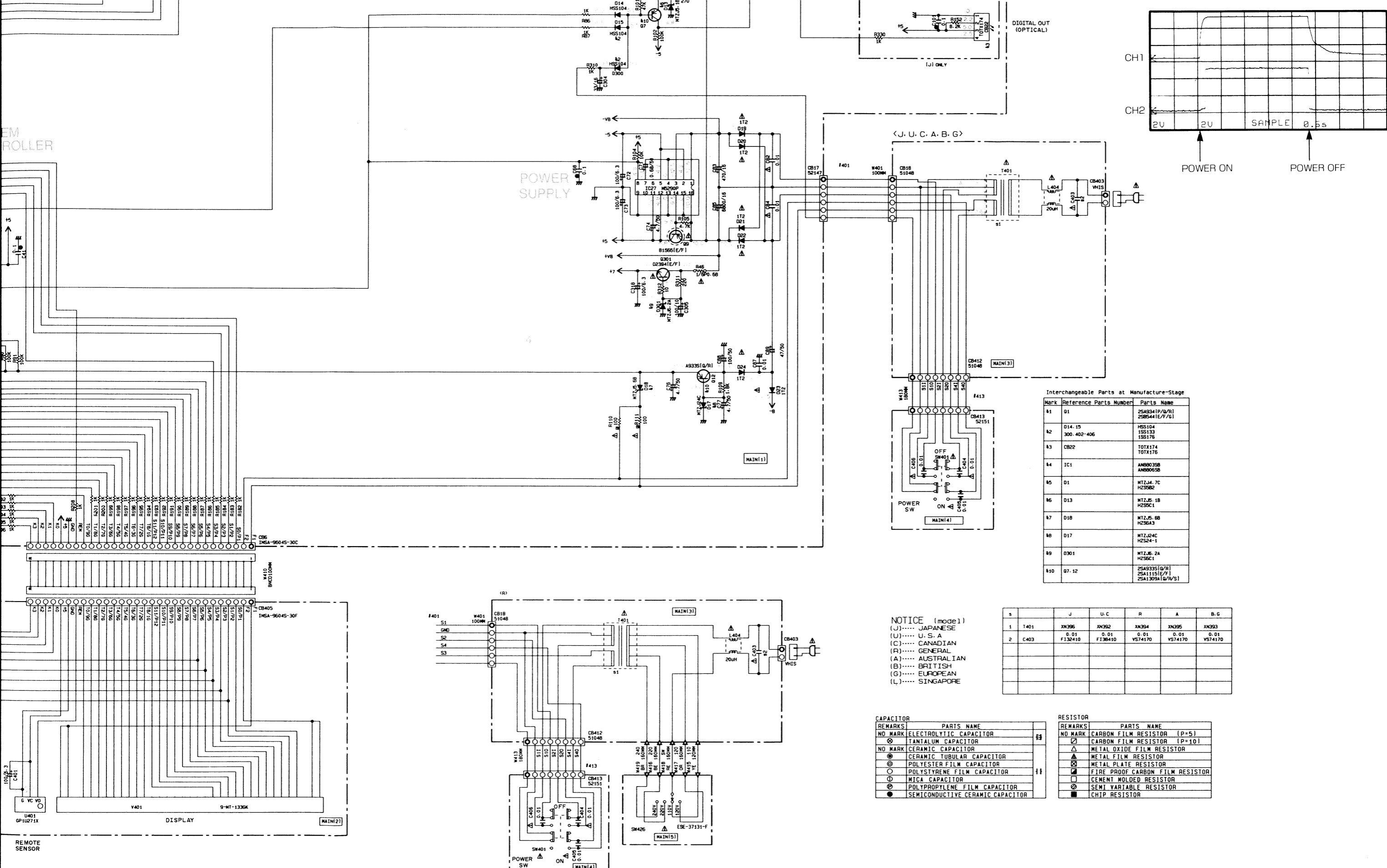


**IC1 : AN8803SB
Digital Servo Head Amp**



**IC6 : LA6536M
4-Channel BTL Driver**





Interchangeable Parts at Manufacture-Stage

Mark	Reference Parts Number	Parts Name
#1	01	25A9341P/Q/R/1 25B5441E/F/G/1
#2	D14.15 300.402-406	HSS104 1SS133 1SS176
#3	CB22	TOTX174 TOTX176
#4	IC1	AM800358 AM800658
#5	D1	MTZ4.7C HZ95B2
#6	D13	MTZ.5.1B HZ95C1
#7	D18	MTZ.5.6B HZ96A3
#8	D17	MTZ.24C HZ924-1
#9	O301	MTZ.6.2A HZ96C1
#10	07-12	25A9335(Q/R) 25A1115(E/F) 25A1309A(Q/R/S)

S	J	U.C	R	A	B.G	
1	T401	XN396	XN392	XN394	XN395	XN393
2	C403	F132410	F138410	V574170	V574170	V574170

NOTICE (mode1)
 (J)..... JAPANESE
 (U)..... U.S.A
 (C)..... CANADIAN
 (R)..... GENERAL
 (A)..... AUSTRALIAN
 (B)..... BRITISH
 (G)..... EUROPEAN
 (L)..... SINGAPORE

REMARKS	PARTS NAME
NO MARK	ELECTROLYTIC CAPACITOR
⊗	TANTALUM CAPACITOR
NO MARK	CERAMIC CAPACITOR
⊙	CERAMIC TUBULAR CAPACITOR
⊖	POLYESTER FILM CAPACITOR
⊕	POLYSTYRENE FILM CAPACITOR
⊘	MICA CAPACITOR
⊙	POLYPROPYLENE FILM CAPACITOR
●	SEMICONDUCTIVE CERAMIC CAPACITOR
NO MARK	CARBON FILM RESISTOR (P=5)
⊠	CARBON FILM RESISTOR (P=10)
△	METAL OXIDE FILM RESISTOR
▲	METAL FILM RESISTOR
⊞	METAL PLATE RESISTOR
⊚	FIRE PROOF CARBON FILM RESISTOR
□	CEMENT MOLDED RESISTOR
⊗	SEMI VARIABLE RESISTOR
■	CHIP RESISTOR

- 電圧は、内部抵抗 10MΩ の電圧計で測定したものです。
- △印のある部品は、安全性確保部品を示しています。部品の交換が必要な場合、パーツリストに記載されている部品を使用してください。
- 本回路図は標準回路図です。改良のため予告なく変更することがございます。

- * All voltage are measured with a 10MΩ/V DC electric volt meter.
- * Components having special characteristics are marked △ and must be replaced with parts having specifications equal to those originally installed.
- * Schematic diagram is subject to change without notice.

PARTS LIST

■ ELECTRICAL PARTS

■ WARNING

Components having special characteristics are marked \triangle and must be replaced with parts having specifications equal to those originally installed.

- Carbon resistors (1/6W or 1/4W) are not included in the ELECTRICAL PARTS List. For the parts No. of the carbon resistors, refer to last page.

ABBREVIATIONS IN THIS LIST ARE AS FOLLOWS :

C.A.EL.CHP	: CHIP ALUMI. ELECTROLYTIC CAP	L.EMIT	: LIGHT EMITTING MODULE
C.CE	: CERAMIC CAP	LED.DSPLY	: LED DISPLAY
C.CE.ARRAY	: CERAMIC CAP ARRAY	LED.INFRD	: LED, INFRARED
C.CE.CHP	: CHIP CERAMIC CAP	MODUL.RF	: MODULATOR, RF
C.CE.ML	: MULTILAYER CERAMIC CAP	PHOT.CPL	: PHOTO COUPLER
C.CE.M.CHP	: CHIP MULTILAYER CERAMIC CAP	PHOT.INTR	: PHOTO INTERRUPTER
C.CE.SAFTY	: RECOGNIZED CERAMIC CAP	PHOT.RFLCT	: PHOTO REFLECTOR
C.CE.TUBLR	: CERAMIC TUBULAR CAP	PIN.TEST	: PIN, TEST POINT
C.CE.SMI	: SEMI CONDUCTIVE CERAMIC CAP	PLST.RIVET	: PLASTIC RIVET
C.EL	: ELECTROLYTIC CAP	R.ARRAY	: RESISTOR ARRAY
C.MICA	: MICA CAP	R.CAR	: CARBON RESISTOR
C.ML.FLM	: MULTILAYER FILM CAP	R.CAR.CHP	: CHIP RESISTOR
C.MP	: METALLIZED PAPER CAP	R.CAR.FP	: FLAME PROOF CARBON RESISTOR
C.MYLAR	: MYLAR FILM CAP	R.FUS	: FUSABLE RESISTOR
C.MYLAR.ML	: MULTILAYER MYLAR FILM CAP	R.MTL.CHP	: CHIP METAL FILM RESISTOR
C.PAPER	: PAPER CAPACITOR	R.MTL.FLM	: METAL FILM RESISTOR
C.PLS	: POLYSTYRENE FILM CAP	R.MTL.OXD	: METAL OXIDE FILM RESISTOR
C.POL	: POLYESTER FILM CAP	R.MTL.PLAT	: METAL PLATE RESISTOR
C.POLY	: POLYETHYLENE FILM CAP	RSNR.CE	: CERAMIC RESONATOR
C.PP	: POLYPROPYLENE FILM CAP	RSNR.CRYS	: CRYSTAL RESONATOR
C.TNTL	: TANTALUM CAP	R.TW.CEM	: TWIN CEMENT FIXED RESISTOR
C.TNTL.CHP	: CHIP TANTALUM CAP	R.WW	: WIRE WOUND RESISTOR
C.TRIM	: TRIMMER CAP	SCR.BND.HD	: BIND HEAD B-TITE SCREW
CN	: CONNECTOR	SCR.BW.HD	: BW HEAD TAPPING SCREW
CN.BS.PIN	: CONNECTOR, BASE PIN	SCR.CUP	: CUP TITE SCREW
CN.CANNON	: CONNECTOR, CANNON	SCR.TERM	: SCREW TERMINAL
CN.DIN	: CONNECTOR, DIN	SCR.TR	: SCREW, TRANSISTOR
CN.FLAT	: CONNECTOR, FLAT CABLE	SUPRT.PCB	: SUPPORT, P.C.B.
CN.POST	: CONNECTOR, BASE POST	SURG.PRTCT	: SURGE PROTECTOR
COIL.MX.AM	: COIL, AM MIX	SW.TACT	: TACT SWITCH
COIL.AT.FM	: COIL, FM ANTENNA	SW.LEAF	: LEAF SWITCH
COIL.DT.FM	: COIL, FM DETECT	SW.LEVER	: LEVER SWITCH
COIL.MX.FM	: COIL, FM MIX	SW.MICRO	: MICRO SWITCH
COIL.OUTPT	: OUTPUT COIL	SW.PUSH	: PUSH SWITCH
DIOD.ARRAY	: DIODE ARRAY	SW.RT.ENC	: ROTARY ENCODER
DIODE.BRG	: DIODE BRIDGE	SW.RT.MTR	: ROTARY SWITCH WITH MOTOR
DIODE.CHP	: CHIP DIODE	SW.RT	: ROTARY SWITCH
DIODE.VAR	: VARACTOR DIODE	SW.SLIDE	: SLIDE SWITCH
DIOD.Z.CHP	: CHIP ZENER DIODE	TERM.SP	: SPEAKER TERMINAL
DIODE.ZENR	: ZENER DIODE	TERM.WRAP	: WRAPPING TERMINAL
DSCR.CE	: CERAMIC DISCRIMINATOR	THRMST.CHP	: CHIP THERMISTOR
FER.BEAD	: FERRITE BEADS	TR.CHP	: CHIP TRANSISTOR
FER.CORE	: FERRITE CORE	TR.DGT	: DIGITAL TRANSISTOR
FET.CHP	: CHIP FET	TR.DGT.CHP	: CHIP DIGITAL TRANSISTOR
FL.DSPLY	: FLUORESCENT DISPLAY	TRANS	: TRANSFORMER
FLTR.CE	: CERAMIC FILTER	TRANS.PULS	: PULSE TRANSFORMER
FLTR.COMB	: COMB FILTER MODULE	TRANS.PWR	: POWER TRANSFORMER ASS'y
FLTR.LC.RF	: LC FILTER ,EMI	TUNER.AM	: TUNER PACK, AM
GND.MTL	: GROUND PLATE	TUNER.FM	: TUNER PACK, FM
GND.TERM	: GROUND TERMINAL	TUNER.PK	: FRONT-END TUNER PACK
HOLDER.FUS	: FUSE HOLDER	VR	: ROTARY POTENTIOMETER
IC.PRTCT	: IC PROTECTOR	VR.MTR	: POTENTIOMETER WITH MOTOR
JUMPER.CN	: JUMPER CONNECTOR	VR.SW	: POTENTIOMETER WITH ROTARY SW
JUMPER.TST	: JUMPER, TEST POINT	VR.SLIDE	: SLIDE POTENTIOMETER
L.DTCT	: LIGHT DETECTING MODULE	VR.TRIM	: TRIMMER POTENTIOMETER

Note) Those parts marked with “#” are not included in the P.C.B. ass'y.

Schm Ref.	PART NO.	Description		
*	VU557800	P. C. B.	MAIN(UC)	
*	VU557900	P. C. B.	MAIN(R)	
*	VU558000	P. C. B.	MAIN(A)	
*	VU688400	P. C. B.	MAIN(BGT)	
CB2	VD005100	CN. BS. PIN	8P	
CB3	VK506300	CN. BS. PIN	8P	
CB4	VD004900	CN. BS. PIN	6P	
CB5	VD004800	CN. BS. PIN	5P	
* CB6	VU273000	CN	30P	
CB17	VF728300	CN	6P	
CB18	Vi878400	CN. BS. PIN	6P	
CB403	VG879900	CN. BS. PIN	2P	
* CB405	VU283000	CN	30P	
CB412	Vi878600	CN. BS. PIN	8P	
CB413	VK026700	CN. BS. PIN	8P	
C1	VF760000	C. EL	100uF	10V
C7	VH053100	C. CE. TUBLR	0. 1uF	50V
C8	VJ837200	C. EL	47uF	16V
C12	VH053100	C. CE. TUBLR	0. 1uF	50V
C13	VH053100	C. CE. TUBLR	0. 1uF	50V
C14	UA654470	C. MYLAR	0. 047uF	50V
C15	UA653470	C. MYLAR	4700pF	50V
C16	UA652100	C. MYLAR	100pF	50V
C17	UA653220	C. MYLAR	2200pF	50V
C18	UA653220	C. MYLAR	2200pF	50V
C19	VH053100	C. CE. TUBLR	0. 1uF	50V
C20	VJ839100	C. EL	1uF	50V
C21	UA655100	C. MYLAR	0. 1uF	50V
C22	VH053100	C. CE. TUBLR	0. 1uF	50V
C23	VG278800	C. CE. TUBLR	560pF	50V
C24	VR498100	C. EL	6. 8uF	6. 3V
C25	VF467300	C. CE. TUBLR	0. 01uF	16V
C26	UA653180	C. MYLAR	1800pF	50V
C27	UA653220	C. MYLAR	2200pF	50V
C28	UA655100	C. MYLAR	0. 1uF	50V
C29	VH053100	C. CE. TUBLR	0. 1uF	50V
C30	VF760000	C. EL	100uF	10V
C31	VH053100	C. CE. TUBLR	0. 1uF	50V
C32	UA654240	C. MYLAR	0. 024uF	50V
C33	VH053100	C. CE. TUBLR	0. 1uF	50V
C34	UK665470	C. EL	0. 47uF	50V
C35	VH053100	C. CE. TUBLR	0. 1uF	50V
C36	VH053100	C. CE. TUBLR	0. 1uF	50V
C39	VH053100	C. CE. TUBLR	0. 1uF	50V
C40	VF760000	C. EL	100uF	10V
C41	VH053100	C. CE. TUBLR	0. 1uF	50V
C60	VF637900	C. EL	1000uF	10V
C68	VH053100	C. CE. TUBLR	0. 1uF	50V
C70	VJ839100	C. EL	1uF	50V
C71	UJ865680	C. EL	0. 68uF	50V
C72	VF760000	C. EL	100uF	10V
C73	VF760000	C. EL	100uF	10V
C74	UM416470	C. EL	4. 7uF	50V

* New Parts

Schm Ref.	PART NO.	Description		
C75	VJ839100	C. EL	1uF	50V
C76	UM416470	C. EL	4. 7uF	50V
C77	UM416470	C. EL	4. 7uF	50V
C78	UA653330	C. MYLAR	3300pF	50V
C79	UA653300	C. MYLAR	3000pF	50V
C80	UA653300	C. MYLAR	3000pF	50V
C81	UA653330	C. MYLAR	3300pF	50V
△ C82	FG214100	C. CE	0. 01uF	50V
C83	UJ638470	C. EL	470uF	16V
△ C84	FG214100	C. CE	0. 01uF	50V
C85	VH507200	C. EL	6800uF	16V
C87	FG214100	C. CE	0. 01uF	50V
C88	UJ668100	C. EL	100uF	50V
C89	UJ667470	C. EL	47uF	50V
C92	UM407220	C. EL	22uF	16V
C93	UM407220	C. EL	22uF	16V
C105	UA653330	C. MYLAR	3300pF	50V
C106	UA653330	C. MYLAR	3300pF	50V
C300	VF760000	C. EL	100uF	10V
C301	UK665470	C. EL	0. 47uF	50V
C302	VF467300	C. CE. TUBLR	0. 01uF	16V
C303	VF467300	C. CE. TUBLR	0. 01uF	16V
C304	UM397330	C. EL	33uF	16V
C305	VF760000	C. EL	100uF	10V
C318	VF760000	C. EL	100uF	10V
C319	VF467000	C. CE. TUBLR	1000pF	50V
C401	VF760000	C. EL	100uF	10V
△ C403	Fi384100	C. CE. SAFTY	0. 01uF	400V(UC)
△ C403	VS741700	C. CE. SAFTY	0. 01uF	275V(RABGT)
△ C404	FG214100	C. CE	0. 01uF	50V
△ C405	FG214100	C. CE	0. 01uF	50V
△ C406	FG214100	C. CE	0. 01uF	50V
D1	VG437200	DIODE. ZENR	MTZJ4. 7C	4. 7V
D13	VG437400	DIODE. ZENR	MTZJ5. 1B	5. 1V
D14	VD631600	DIODE	1SS133, 176, HSS104	
D15	VD631600	DIODE	1SS133, 176, HSS104	
D17	VG442600	DIODE. ZENR	MTZJ24C	24V
D18	VG437700	DIODE. ZENR	MTZJ5. 6B	5. 6V
△ D19	VS997800	DIODE	1T2	
△ D20	VS997800	DIODE	1T2	
△ D21	VS997800	DIODE	1T2	
△ D22	VS997800	DIODE	1T2	
△ D23	VS997800	DIODE	1T2	
△ D24	VS997800	DIODE	1T2	
D300	VD631600	DIODE	1SS133, 176, HSS104	
D301	VG437900	DIODE. ZENR	MTZJ6. 2A	6. 2V
D402	VD631600	DIODE	1SS133, 176, HSS104	
D403	VD631600	DIODE	1SS133, 176, HSS104	
D404	VD631600	DIODE	1SS133, 176, HSS104	
D405	VD631600	DIODE	1SS133, 176, HSS104	
D406	VD631600	DIODE	1SS133, 176, HSS104	
IC1	XM571A00	IC	AN8803SB	
IC3	XF494A00	IC	LB1641	

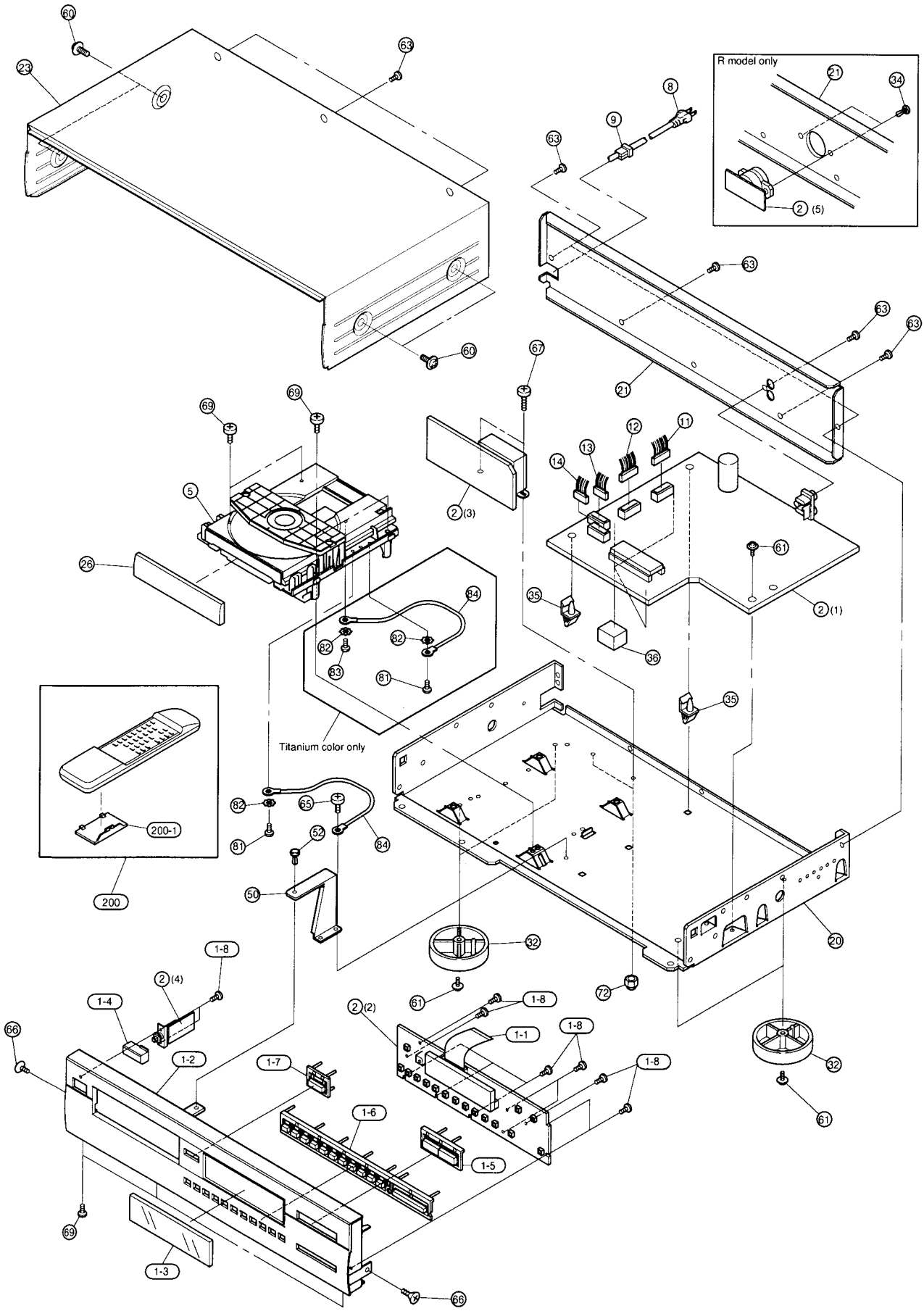
* New Parts

Schm Ref.	PART NO.	Description	
	IC6	XN105A00	IC LA6536M
	IC11	XM572A00	IC MN66271
	IC12	XN443A00	IC uPD75217CW-230
	IC16	iR012510	IC HD74HC125P
	IC25	XA987001	IC NJM2068D
	IC27	XD201A00	IC M5290P
	L300	Vi546100	COIL 220uH
	L301	Vi546100	COIL 220uH
△	L404	VU984000	FLTR IE-UU10.5-009
	PJ1	VJ898400	JACK. PIN 2P
	Q1	iA093410	TR 2SA934 P, Q, R
	Q7	iA093320	TR 2SA933S Q, R
△	Q9	VS883300	TR 2SB1565 E, F
	Q12	iA093320	TR 2SA933S Q, R
	Q17	iC287820	TR 2SC2878 A, B
	Q18	iC287820	TR 2SC2878 A, B
	Q19	iC287820	TR 2SC2878 A, B
	Q20	iC287820	TR 2SC2878 A, B
△	Q301	VS883400	TR 2SD2394 E, F
	R26	HV454100	R. CAR. FP 10 Ω 1/4W
△	R46	Vi868300	R. FUS 0.68 Ω 1/6W
△	R110	HV455100	R. CAR. FP 100 Ω 1/4W
△	R111	HV455100	R. CAR. FP 100 Ω 1/4W
△	SW401	Vi272700	SW. PUSH
	SW403	VG392900	SW. TACT SKHVAA
	SW405	VG392900	SW. TACT SKHVAA
	SW406	VG392900	SW. TACT SKHVAA
	SW407	VG392900	SW. TACT SKHVAA
	SW408	VG392900	SW. TACT SKHVAA
	SW409	VG392900	SW. TACT SKHVAA
	SW411	VG392900	SW. TACT SKHVAA
	SW413	VG392900	SW. TACT SKHVAA
	SW414	VG392900	SW. TACT SKHVAA
	SW416	VG392900	SW. TACT SKHVAA
	SW418	VG392900	SW. TACT SKHVAA
	SW420	VG392900	SW. TACT SKHVAA
	SW421	VG392900	SW. TACT SKHVAA
	SW422	VG392900	SW. TACT SKHVAA
	SW423	VG392900	SW. TACT SKHVAA
△	SW426	VL908000	VOLT. SELCT ESE-370(R)
	SW430	VG392900	SW. TACT SKHVAA
△	T401	XN392A00	TRANS. PWR (UC)
△	T401	XN393A00	TRANS. PWR (BGT)
△	T401	XN394A00	TRANS. PWR (R)
△	T401	XN395A00	TRANS. PWR (A)
	U401	VU591000	L. DTCT GPIU271X
	V401	VR061600	FL. DSPLY 9-MT-133GK
	XL1	VJ677200	RSNR. CE 4.19MHz
	XL4	VR197300	RSNR. CE 16.93MHz
		VQ713000	SUPRT FL
		VQ948800	SHEET FL
		Vi835500	HEAT. SINK PH-0124S-B
		VA119100	HEAT. SINK

* New Parts

CDX-390

■ EXPLODED VIEW



MECHANICAL PARTS

Ref. No.	PART NO.	Description	Remarks	Markets
* 1- 1	MF130100	FLEXIBLE FLAT CABLE	30P 100mm	
* 1- 2	VU458200	FRONT PANEL		BL
* 1- 2	VU458300	FRONT PANEL		TI
* 1- 3	VU458800	WINDOW PANEL, LID		
* 1- 4	VQ780000	BUTTON	10x25	BL
* 1- 4	VT990000	BUTTON	10x25	TI
* 1- 5	VU458400	BUTTON	PLAY	BL
* 1- 5	VU458500	BUTTON	PLAY	TI
* 1- 6	VU458600	BUTTON	10KEY	BL
* 1- 6	VU458700	BUTTON	10KEY	TI
* 1- 7	VU476200	BUTTON	OP/CL	BL
* 1- 7	VU476300	BUTTON	OP/CL	TI
* 1- 8	EP630220	BIND HEAD P-TITE SCREW	3x8 ZMC2-BL	
* 2	VU557800	P. C. B. ASS'Y	MAIN	(UC)
* 2	VU557900	P. C. B. ASS'Y	MAIN	(R)
* 2	VU558000	P. C. B. ASS'Y	MAIN	(A)
* 2	VU688400	P. C. B. ASS'Y	MAIN	(BG)
5	VQ905800	PICK UP MECHA. UNIT	KSL-2101ABM	
△ 8	VQ508500	POWER CORD ASS'Y		(R)
△ 8	VQ508600	POWER CORD ASS'Y		(A)
△ 8	VS168300	POWER CORD ASS'Y		(UC)
△ 8	VS168400	POWER CORD ASS'Y		(G)
△ 8	VS680700	POWER CORD ASS'Y		(B)
9	VN158600	CORD STOPPER	No. 2104	
11	VR207400	CONNECTOR ASS'Y	8P 150mm	
12	VM987900	CONNECTOR ASS'Y	8P 160mm	
* 13	MF706100	CONNECTOR ASS'Y	6P 100mm	
* 14	MF705100	CONNECTOR ASS'Y	5P 100mm	
20	VU330800	CHASSIS		
* 21	VU461900	REAR PANEL		(UC)
* 21	VU462000	REAR PANEL		(R)
* 21	VU462100	REAR PANEL		(A)
* 21	VU462200	REAR PANEL		(BG)
23	VQ709200	TOP COVER		BL
23	VQ709300	TOP COVER		TI
26	VQ710900	LID		BL
26	VQ711000	LID		TI
32	VQ780300	LEG	D60xH16	
34	VR189100	PUSH RIVET	P3055-B	(R)
35	VU981100	SUPPORT, P. C. B.	No. 2127	
36	VQ861500	CUSHION	SHEET	
50	VU983100	SUPPORT, PANEL		
52	VQ368500	PUSH RIVET	P3545-B	
60	EK365090	PW HEAD S-TITE SCREW	4x8-10 FCRM3-BL	BL
60	EX601150	BW HEAD S-TITE SCREW	4x8-10 FNM3-BL	TI
61	EK930010	PW HEAD B-TITE SCREW	3x8-8 FCRM3-BL	
63	EN301010	BIND HEAD BONDING TAP. SCREW	3x8 FCRM3-BL	
65	EN340030	BIND HEAD BONDING B-T. SCREW	3x6 FCRM3-BL	
66	EO030066	FLAT HEAD SCREW	3x6 ZMC2-Y	
67	EK396010	BIND HEAD S-TITE SCREW	4x8 FCRM3-BL	
69	Ei330086	BIND HEAD B-TITE SCREW	3x8 FCRM3-BL	
72	VK002600	HEXAGONAL CAP NUT	4mm	
81	VK527900	PW HEAD S-TITE SCREW	3x8-8 ZMC2-Y	

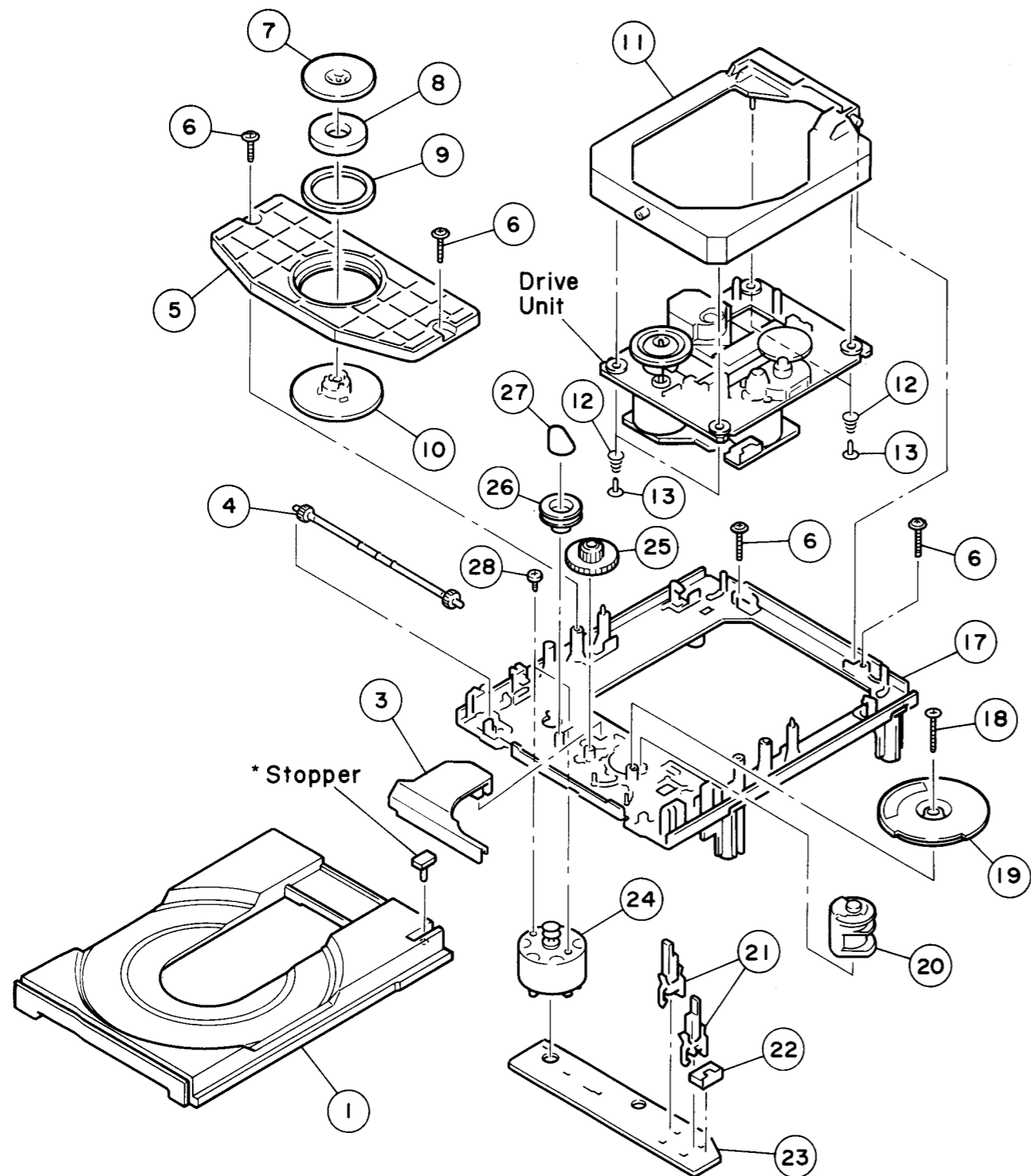
* New Parts

Ref. No.	PART NO.	Description	Remarks	Markets
82	EV410036	TOOTH LOCKED WASHER	3 MFZN2Y	
83	VU398200	PW HEAD S-TITE SCREW	2x5-5 MFZN2Y	
* 84	VV015400	CONNECTOR ASS'Y	1P 110mm	
		ACCESSORIES		
* 200	VU713300	REMOTE CONTROL TRANSMITTER		
200-1	CX675150	LID	54x32.9BLALPS	
	VS381600	PIN PLUG CORD	1.0m	
		BATTERY, MANGANESE	SUM-3, AA, R06	

* New Parts

CDX-390

EXPLODED VIEW (CD Mech. Unit)



* The stopper is not supplied with the tray as a spare part.
 When replacing the tray, keep the removed stopper and reuse it.
 Should it be lost and a new one be necessary, order service part ⑰ Main Chassis (S) and remove the stopper only from it and use it as a spare part.

MECHANICAL PARTS (CD Mech. Unit)

Ref. No.	PART NO.	Description	Remarks	Markets
	VQ905800	CD MECHANISM UNIT	KSL-2101ABM	
1	CX675290	TRAY (S)		262555003
3	CX675250	GEAR COVER (S)		262554402
4	CX675210	TRAY GEAR (S)		262553501
5	AX619150	CHUCKING PLATE (S)		262554601
6	EX602890	BW HEAD P-TITE SCREW	2.6x7	262629401
7	BX602660	CHUCKING YOKE (S)		262553701
8	NX610570	MAGNET ASS'Y		145249321
9	CX675240	DAMPER (S)		262554102
10	CX675280	CHUCKING PULLEY (S)		262554802
11	NX613060	SUB CHASSIS ASS'Y (S)		X26252272
12	AX619140	SPRING (S)		262553901
13	AX619180	SCREW WITH WASHER		262573001
17	AX619160	MAIN CHASSIS (S), OUTSERT		262555206
18	VH554700	BW HEAD P-TITE SCREW	2.6x16	331950151
19	CX675270	DRIVE GEAR (S)		262554703
20	CX675260	CONTROL CAM (S)		262554504
21	KX604180	LEAF SWITCH		157208611
22	LX608390	CONNECTOR PIN	5P	156472111
23	NX613050	PWB, LOADIND (S)		164052312
24	JX601470	LOADING MOTOR		X26251171
25	CX675200	CENTER GEAR (S)		262553402
26	CX675220	LOADING PULLEY (S)		262553602
27	CX672840	BELT, LOADING MOTOR		365338701
28	EX602880	SCREW	2.6x2.5	262527901

* New Parts

1

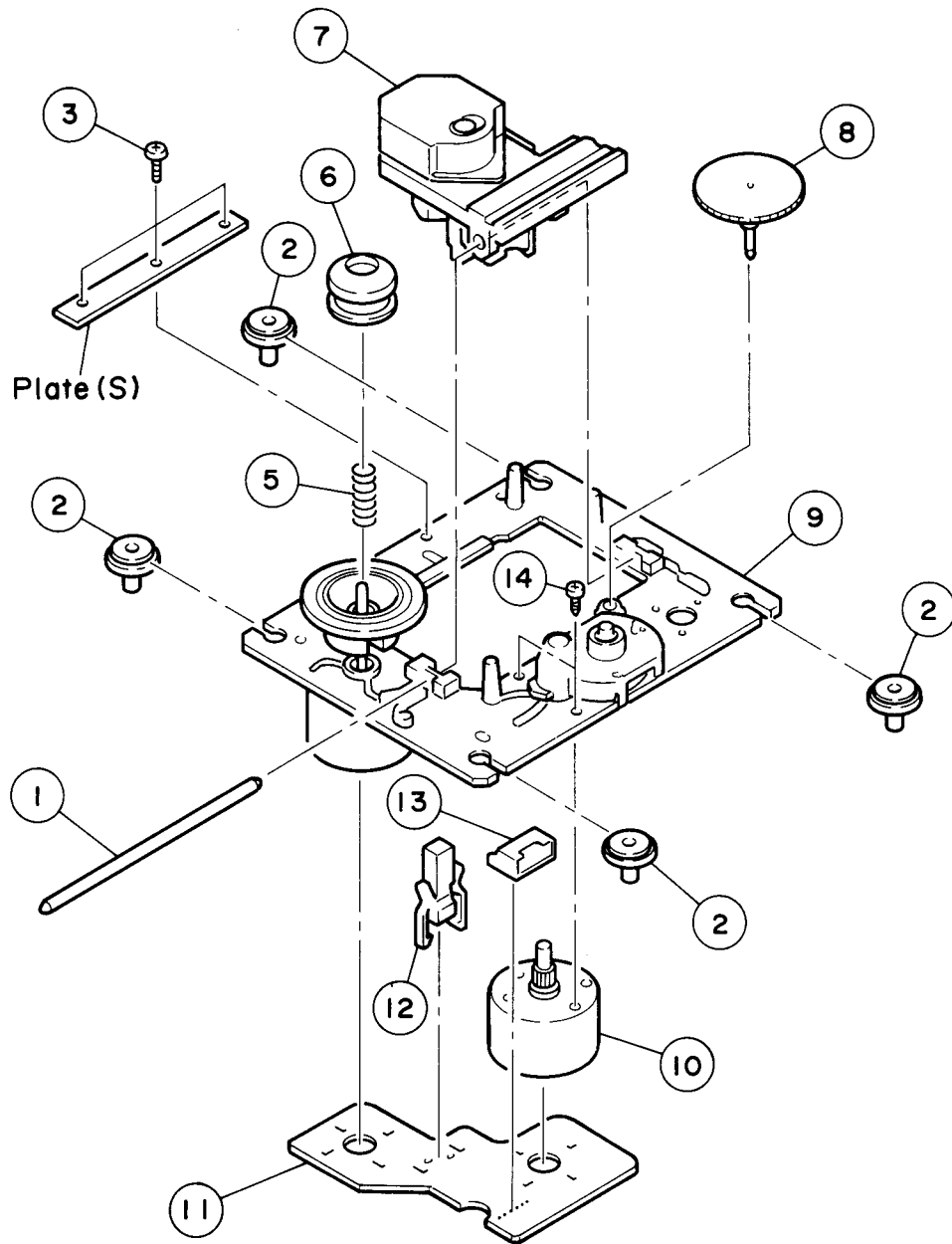
EXPLODED VIEW (Drive Unit)

2

3

4

5



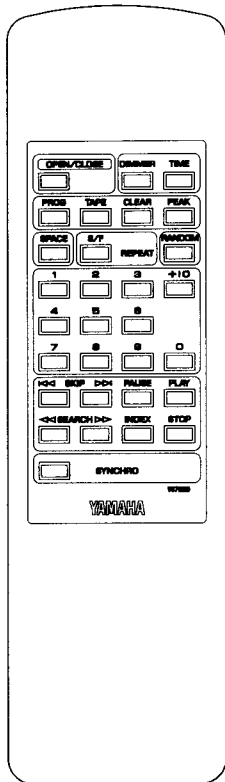
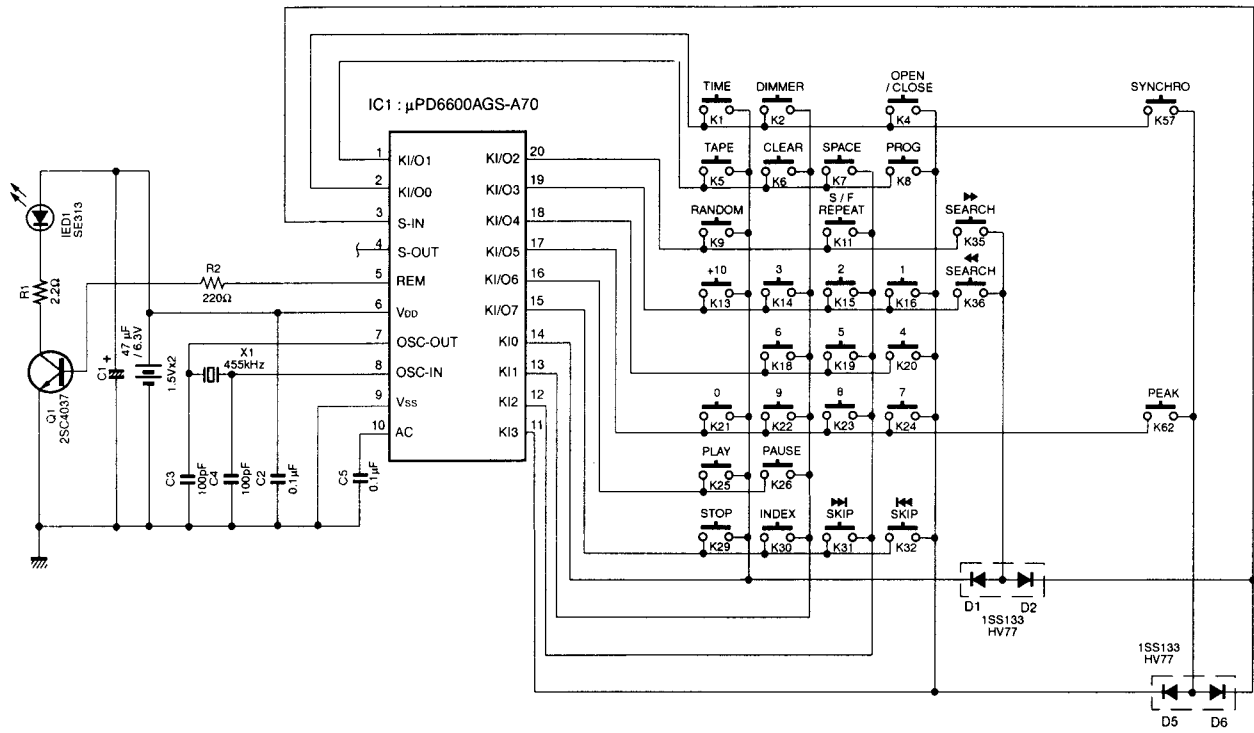
Ref. No.	PART NO.	Description	Remarks	Markets
1	AX619110	SLED SHAFT (S)	262546401	
2	CX675230	INSULATOR (S)	262553801	
3	AX607540	SPECIAL SCREW	2641386	
5	AX619120	COIL SPRING (S)	262546501	
6	AX619130	CENTER RING, LO (S)	262547701	
7	PX600431	LASER PICK UP	8848127	
8	CX675190	GEAR, A (S)	262546201	
9	NX610600	CHASSIS ASS'Y, T.T.	X26251332	
10	NX610610	MOTOR GEAR ASS'Y	X26251321	
11	NX613040	PWB, MOTOR	163967813	
12	KX603720	LEAF SWITCH	157208512	
13	LX608400	CONNECTOR	1564722	
14	EA020036	PAN HEAD SCREW	762125515	

* New Parts

CDX-390

REMÔTE CONTROL TRANSMITTER

■ SCHEMATIC DIAGRAM



KEY No.	FUNCTION	CUSTOM CODE (HEX)	REVERSE CUSTOM CODE (HEX)	DATA CODE (HEX)	REMARKS	
					D0	D7
K1	TIME	79	86	0A	01010000	
K2	DIMMER	79	86	1E	01111000	
K4	OPEN/CLOSE	79	86	01	10000000	
K5	TAPE	79	86	57	11101010	
K6	CLEAR	79	86	0D	10110000	
K7	SPACE	79	86	0F	11110000	
K8	PROG	79	86	0C	00110000	
K9	RANDOM	79	86	1B	11011000	
K11	S/F REPEAT	79	86	08	00010000	
K13	+10	79	86	1A	01011000	
K14	3	79	86	13	11001000	
K15	2	79	86	12	01001000	
K16	1	79	86	11	10001000	
K18	6	79	86	16	01101000	
K19	5	79	86	15	10101000	
K20	4	79	86	14	00101000	
K21	0	79	86	10	00001000	
K22	9	79	86	19	10011000	
K23	8	79	86	18	00011000	
K24	7	79	86	17	11101000	
K25	PLAY	79	86	02	01000000	
K26	PAUSE	79	86	55	10101010	
K29	STOP	79	86	56	01101010	
K30	INDEX	79	86	0B	11010000	
K31	SKIP →	79	86	07	11100000	
K32	←← SKIP	79	86	04	00100000	
K35	SEARCH →	79	86	06	01100000	
K36	←← SEARCH	79	86	05	10100000	
K57	SYNCHRO	79	86	58	00011010	
K62	PEAK	79	86	5D	10111010	

Parts List for Carbon Resistors

Value	1/4W Type Part No.	1/6W Type Part No.	Value	1/4W Type Part No.	1/6W Type Part No.
1.0 Ω	HJ35 3100	HF85 3100	10 kΩ	HF45 7100	HF45 7100
1.8 Ω	HJ35 3180	*	11 kΩ	HF45 7110	HF45 7110
2.2 Ω	HJ35 3220	HF85 3220	12 kΩ	HJ35 7120	HF85 7120
3.3 Ω	HJ35 3330	HF85 3330	13 kΩ	HF45 7130	HF45 7130
4.7 Ω	HJ35 3470	HF85 3470	15 kΩ	HF45 7150	HF45 7150
5.6 Ω	HJ35 3560	HF85 3560	18 kΩ	HF45 7180	HF45 7180
10 Ω	HF45 4100	HF45 4100	22 kΩ	HF45 7220	HF45 7220
15 Ω	HJ35 4150	HF85 4150	24 kΩ	HF45 7240	HF45 7240
22 Ω	HF45 4220	HF45 4220	27 kΩ	HJ35 7270	HF85 7270
27 Ω	HJ35 4270	HF85 4270	30 kΩ	HF45 7300	HF45 7300
33 Ω	HF45 4330	HF45 4330	33 kΩ	HF45 7330	HF45 7330
39 Ω	HJ35 4470	HF85 4390	36 kΩ	HF45 7360	HF45 7360
47 Ω	HF45 4470	HF45 4470	39 kΩ	HF45 7390	HF45 7390
56 Ω	HF45 4560	HF45 4560	47 kΩ	HF45 7470	HF45 7470
68 Ω	HF45 4680	HF45 4680	51 kΩ	HF45 7510	HF45 7510
75 Ω	HF45 4750	HF45 4750	56 kΩ	HF45 7560	HF45 7560
82 Ω	HF45 4820	HF45 4820	62 kΩ	HF45 7620	HF45 7620
91 Ω	HF45 4910	HF45 4910	68 kΩ	HF45 7680	HF45 7680
100 Ω	HF45 5100	HF45 5100	82 kΩ	HF45 7820	HF45 7820
110 Ω	HJ35 5110	HF85 5110	91 kΩ	HF45 7910	HF45 7910
120 Ω	HF45 5120	HF45 5120	100 kΩ	HF45 8100	HF45 8100
150 Ω	HF45 5150	HF45 5150	110 kΩ	HF45 8110	HF45 8110
160 Ω	HJ35 5160	*	120 kΩ	HF45 8120	HF45 8120
180 Ω	HF45 5180	HF45 5180	150 kΩ	HF45 8150	HF45 8150
200 Ω	HF45 5200	HF45 5200	180 kΩ	HF45 8180	HF45 8180
220 Ω	HF45 5220	HF45 5220	220 kΩ	HJ35 8220	HF85 8220
270 Ω	HF45 5270	HF45 5270	270 kΩ	HF45 8270	HF45 8270
330 Ω	HF45 5330	HF45 5330	300 kΩ	HF45 8300	HF45 8300
390 Ω	HF45 5390	HF45 5390	330 kΩ	HF45 8330	HF45 8330
430 Ω	HF45 5430	HF45 5430	390 kΩ	HJ35 8390	HF85 8390
470 Ω	HF45 5470	HF45 5470	470 kΩ	HF45 8470	HF45 8470
510 Ω	HF45 5510	HF45 5510	560 kΩ	HJ35 8560	HF85 8560
560 Ω	HF45 5560	HF45 5560	680 kΩ	HJ35 8680	HF85 8680
680 Ω	HF45 5680	HF45 5680	820 kΩ	HJ35 8820	HF85 8820
820 Ω	HF45 5820	HF45 5820	1.0 MΩ	HF45 9100	HF45 9100
910 Ω	HF45 5910	HF45 5910	1.2 MΩ	HJ35 9120	*
1.0 kΩ	HF45 6100	HF45 6100	1.5 MΩ	HJ35 9150	HF85 9150
1.2 kΩ	HF45 6120	HF45 6120	1.8 MΩ	HJ35 9180	HF85 9180
1.5 kΩ	HF45 6150	HF45 6150	2.2 MΩ	HJ35 9220	HF85 9220
1.8 kΩ	HF45 6180	HF45 6180	3.3 MΩ	HJ35 9330	HF85 9330
2.0 kΩ	HJ35 6200	HF85 6200	3.9 MΩ	HJ35 9390	*
2.2 kΩ	HF45 6220	HF45 6220	4.7 MΩ	HJ35 9470	HF85 9470
2.4 kΩ	HJ35 6240	HF85 6240			
2.7 kΩ	HF45 6270	HF45 6270			
3.0 kΩ	HF45 6300	HF45 6300			
3.3 kΩ	HF45 6330	HF45 6330			
3.6 kΩ	HJ35 6360	HF85 6360			
3.9 kΩ	HF45 6390	HF45 6390			
4.7 kΩ	HF45 6470	HF45 6470			
5.1 kΩ	HF45 6510	HF45 6510			
5.6 kΩ	HF45 6560	HF45 6560			
6.8 kΩ	HF45 6680	HF45 6680			
8.2 kΩ	HF45 6820	HF45 6820			
9.1 kΩ	HF45 6910	HF45 6910			

1/4W Type

HJ35 ○○○○

10mm

1/6W Type

HF45 ○○○○

HF85 ○○○○

5mm